



McEWEN

# McEWEN

2023 CATALOG

Angulo Suspension	1920	3	Mere Surface	3610	59
Argo Suspension	3820	5	Mere Suspension	3620	61
Argo Wall	3840	7	Momo Wall	3340	63
B Ring Surface Mount	1710	9	Nebula Suspension	2520	65
B Ring Suspension	1720	11	Nebula Wall	2540	67
Ballad Surface Mount	2010	13	Pool Floor	3280	69
Ballad Suspension	2020	15	Porch Suspension	2620	71
Ballad Wall	2040	17	Porch Wall	2640	73
Barrel Suspension	3120	19	Prism Suspension	4420	75
Barrel Table	3160	21	Prism Linear Suspension	4620	77
Egg Suspension	1420	23	Quay Suspension	3520	79
Gear Suspension	4020	25	Quay Wall	3540	81
Glimmer Surface Mount	1010	27	Radial Surface Mount	1210	83
Glimmer Suspension	1020	29	Radial Suspension	1220	85
Glimmer Wall & Vanity	1040/50	31	Signal Floor	1580	87
Hall Wall	2440	33	Sonnet Suspension	1320	89
Hex Lantern Surface Mount	2110	35	Sonus Surface Mount	1610	91
Hex Lantern Suspension	2120	37	Sonus Suspension	1620	93
Hex Lantern Wall	2140	39	Spade Surface Mount	1110	95
House Suspension	3020	41	Spade Floor	1180	97
House Wall & Vanity	3040/50	43	Spoke Suspension	2820	99
House Table	3060	45	Spoke Wall	2840	101
Little Surface Mount	2310	47	Spoke Table	2860	103
(Big) Little Suspension	2320	49	Vellum Suspension	1820	105
Little Wall	2340	51	Vellum Wall	1840	107
Little Table	2360	53	Vox Surface Mount	3410	109
Louver Suspension	2720	55	Wing Suspension	4220	111
Louver Floor	2780	57	Wing Linear Suspension	4520	113



Shown: 36" model in Satin nickel and Opal white glass, with ball chain suspension.

## MODEL NUMBER

1920

## DESCRIPTION

Kiln formed glass shade and inner diffuser, copper hardware and ceiling plate. Ball chain or cable suspension.

## FINISH

Deep brown oxide, Deep black oxide or Satin nickel.

## KILN FORMED GLASS

Clear, Opal white, Pale gold, Sand or Seeded opal.

DIMENSIONS	MIN OAL	NET WT
------------	---------	--------

1920.10		
10"W x 10"L x 15"H	19" Min. OAL	15 lbs.
Diffuser: 6"W x 6"L x 15"H		
Ceiling Plate: 6"W x 6"L x .625"H		

1920.12		
12"W x 12"L x 18"H	22" Min. OAL	25 lbs.
Diffuser: 6"W x 6"L x 18"H		
Ceiling Plate: 6"W x 6"L x .625"H		

1920.30		
10"W x 30"L x 12"H	16" Min. OAL	40 lbs.
Diffuser: 6"W x 26"L x 12"H		
Ceiling Plate: 6"W x 26"L x .625"H		

1920.36		
12"W x 36"L x 14"H	18" Min. OAL	50 lbs.
Diffuser: 6"W x 30"L x 14"H		
Ceiling Plate: 6"W x 30"L x .625"H		

## VOLTAGE / LAMP TYPE

1920.10	
120V, 8.5W, E26 base, T12 LED filament lamp.	
2,700°K, 90 CRI, 800 lumens.	

1920.12	
120V, 8.5W, E26 base, T12 LED filament lamp.	
2,700°K, 90 CRI, 800 lumens.	

1920.30	
120V, 25.5W (3 x 8.5W), T12 LED filament lamp.	
2,700°K, 90 CRI, 2,400 lumens.	

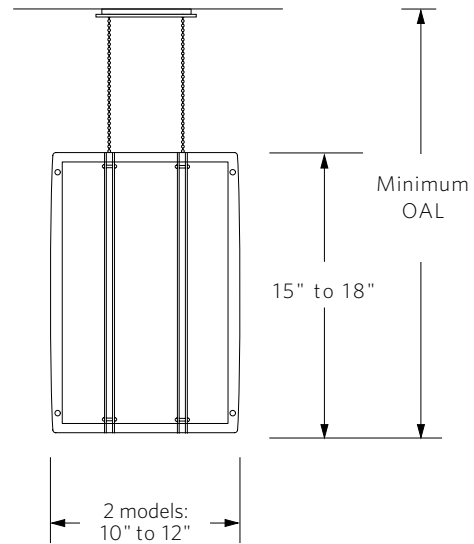
1920.36	
120V, 42.5W (5 x 8.5W), T12 LED filament lamp.	
2,700°K, 90 CRI, 4,000 lumens.	

CA Title 24-JA8-2019-E

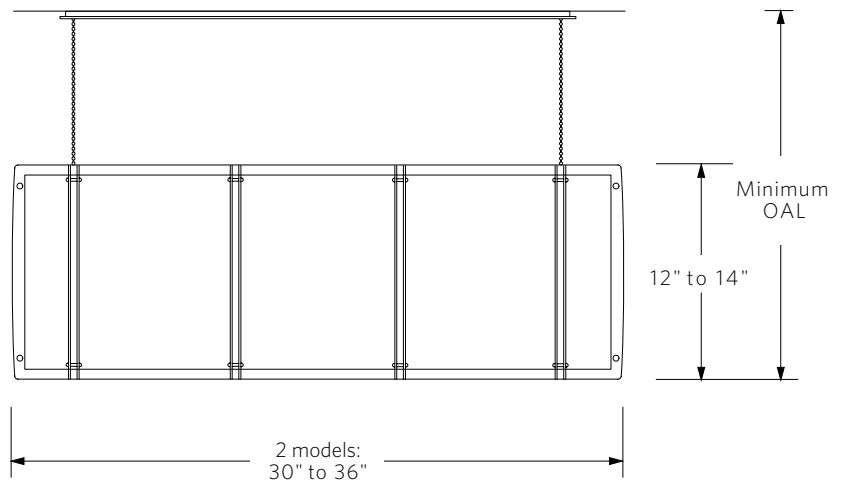
## PLEASE SPECIFY

Size, finish, glass color, ball chain or cable suspension & OAL (net price includes ball chain / cable for an OAL of up to 48"). Refer to price book for additional chain / cable length. OAL can be adjusted in the field at installation.

McEwen Lighting Studio	TEL 510.849.4000
2748 9th Street	FAX 510.849.4006
Berkeley, CA 94710	mcewenlighting.com



Model 1920.10 and 1920.12



Model 1920.30 and 1920.36



Shown: 22" model in Deep black oxide with Opal white cast glass.

**MODEL NUMBER**

3820

**DESCRIPTION**

Cast glass shade, brass frame, ceiling plate & hardware. Cable suspension.

**FINISH**

Natural Brass, Deep black oxide, or Satin Nickel.

**CAST GLASS**

Bronze, Clear, Opal white or Pale gold.

**DIMENSIONS**

DIMENSIONS	MIN OAL	NET WT
3820.16		
5.5"Ø x 16"H	22"	20 lbs
Glass ingot size: 3.5"W x 10"H x 1.75"D		

3820.22

5.5"Ø x 22"H	28"	26 lbs
Glass ingot size: 3.5"W x 16"H x 1.75"D		

**CEILING PLATE / DRIVER ENCLOSURE**

4.5"Ø x 3"Ø x 3"H

**VOLTAGE / LAMP TYPE**

3820.16

Integrated LED. 120V, 12W, 2,400°K or 2,700°K.  
 Bronze and Clear: 2,400°K / 94 CRI Ra / 98 CRI R9 / 93 TM30 Rf / 101 TM30 Rg / 980 lumens, 30,000 hr.  
 Opal white and Pale gold: 2,700°K / 97 CRI Ra / 95 CRI R9 / 94 TM30 Rf / 101 TM30 Rg / 1,148 lumens, 30,000 hr.

3820.22

Integrated LED. 120V, 18W, 2,400°K or 2,700°K.  
 Bronze and Clear: 2,400°K / 94 CRI Ra / 98 CRI R9 / 93 TM30 Rf / 101 TM30 Rg / 1,470 lumens, 30,000 hr.  
 Opal white and Pale gold: 2,700°K / 97 CRI Ra / 95 CRI R9 / 94 TM30 Rf / 101 TM30 Rg / 1,722 lumens, 30,000 hr.

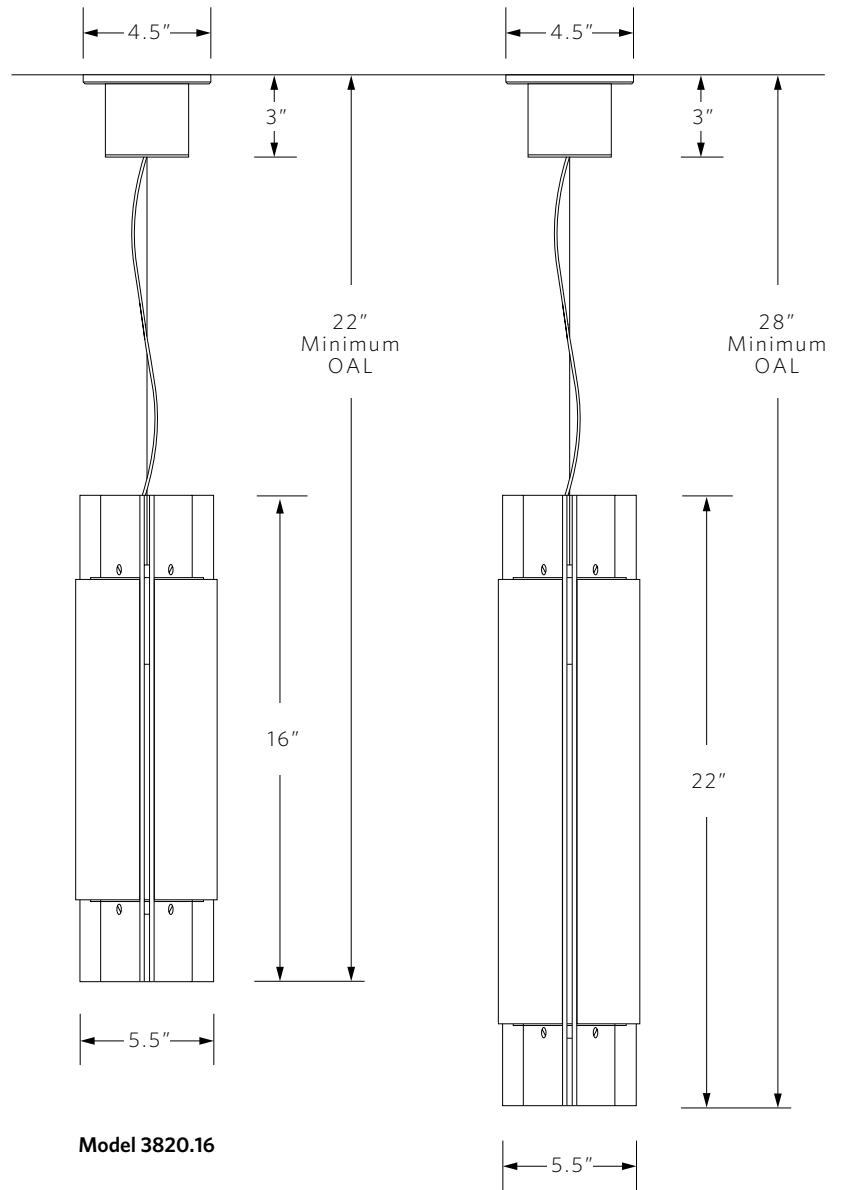
Dimmable driver integrated within ceiling plate.

Note: Recommend reverse phase dimmer (Lutron, Diva DVELV-300P, or similar).

CA Title 24-JA8-2016

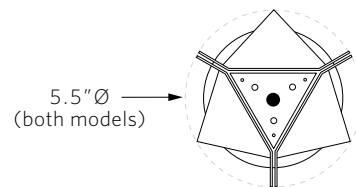
**PLEASE SPECIFY**

Finish, glass color & OAL (net price includes cable for an OAL of up to 48"). Refer to pricebook for additional cable length. Cable OAL can be adjusted in the field at installation.



**Model 3820.16**

**Model 3820.22**



Bottom View



Shown: 22" model in Deep black oxide with Bronze cast glass.

**MODEL NUMBER**

3840

**DESCRIPTION**

Cast glass shade, brass frame, & hardware.

**FINISH**

Natural brass, Deep black oxide, or Satin nickel.

**CAST GLASS**

Bronze, Clear, Opal white or Pale gold.

**DIMENSIONS**

3840.16  
4.5"W x 16"H" x 3.5" projection  
Glass ingot size: 3.5"W x 10"H x 1.75"D

**NET WT**

8 lbs

3840.22  
4.5"W x 22"H" x 3.5" projection  
Glass ingot size: 3.5"W x 16"H x 1.75"D

11 lbs

3840.36  
4.5"W x 36"H" x 3.5" projection  
Glass ingot size: 3.5"W x 26"H x 1.75"D

18 lbs

**VOLTAGE / LAMP TYPE**

3840.16  
120V, 9W, 2,400°K or 2,700°K LED  
Bronze and Clear: 2,400°K / 97 CRI Ra / 92 CRI R9 / 94 TM30 Rf / 102 TM30 / Rg 708 lumens / 30,000 hr.  
Opal white and Pale gold: 2,700°K / 97 CRI Ra / 94 CRI R9 / 94 TM30 Rf / 102 TM30 / Rg 740 lumens / 30,000 hr.

3840.22  
120V, 14W, 2,400°K or 2,700°K LED  
Bronze and Clear: 2,400°K / 97 CRI Ra / 92 CRI R9 / 94 TM30 Rf / 102 TM30 / Rg 1,114 lumens / 30,000 hr.  
Opal white and Pale gold: 2,700°K / 97 CRI Ra / 94 CRI R9 / 94 TM30 Rf / 102 TM30 / Rg 1,163 lumens / 30,000 hr.

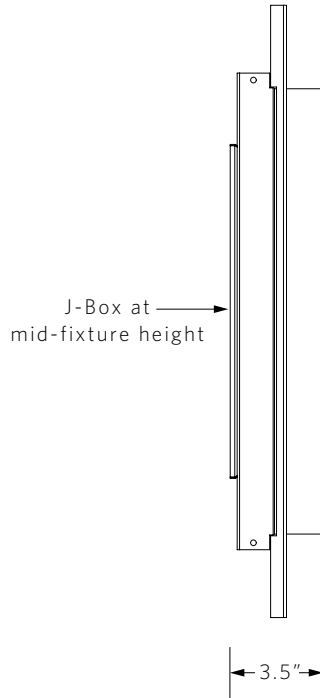
3840.36  
120V, 17W, 2,400°K or 2,700°K LED  
Bronze and Clear: 2,400°K / 97 CRI Ra / 92 CRI R9 / 94 TM30 Rf / 102 TM30 / Rg 1,350 lumens / 30,000 hr.  
Opal white and Pale gold: 2,700°K / 97 CRI Ra / 94 CRI R9 / 94 TM30 Rf / 102 TM30 / Rg 1,410 lumens / 30,000 hr.

Dimmable driver integrated within wall plate.  
Note: Requires standard depth J-box; will not mount to pancake J-box.  
Note: Recommend reverse phase dimmer (Lutron, Diva DVELV-300P, or similar). CA Title 24-JA8-2016

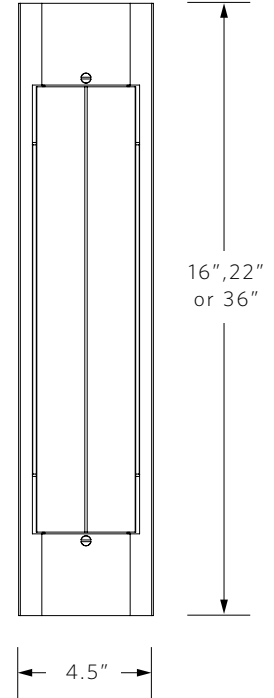
**PLEASE SPECIFY**

Finish & glass color.

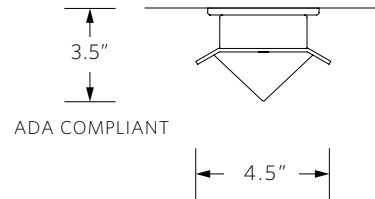
SIDE VIEW



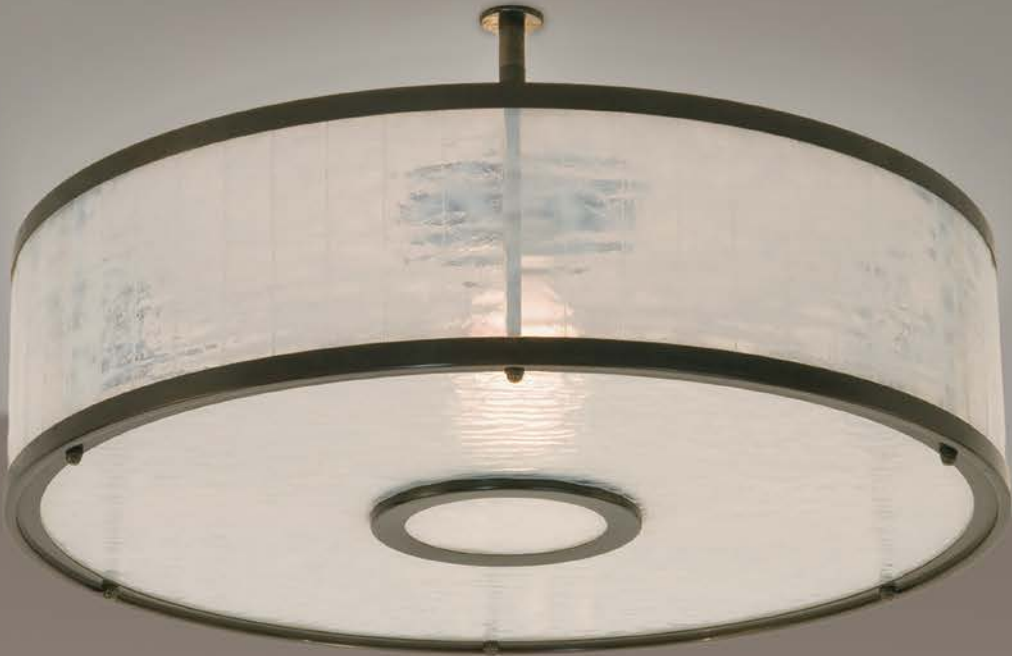
FRONT VIEW



TOP VIEW







Shown: 19"Ø model in Deep brown oxide and Opal white glass.

# B RING SURFACE MOUNT

## MODEL NUMBER

1710

## DESCRIPTION

Fabricated copper frame with cut glass shade and etched Pyrex inner diffuser. Copper ceiling plate and hardware.

## FINISH

Deep brown oxide, Deep black oxide or Satin nickel.

## KILN FORMED GLASS

Clear, Opal white, Pale gold, Sand or Seeded opal. Etched Pyrex diffuser.

Note: 24" & 30" fixtures available in Seeded opal glass only.

## DIMENSIONS

1710.12

12"Ø x 6"H x 7.5" fixed height  
Ceiling Plate: 4.5"Ø x .25"D

1710.15.5

15.5"Ø x 5"H x 6.5" fixed height  
Ceiling Plate: 4.5"Ø x .25"D

1710.19

19"Ø x 5"H x 6.5" fixed height  
Ceiling Plate: 4.5"Ø x .25"D

1710.24

24"Ø x 6"H x 7.5" fixed height  
Ceiling Plate: 4.5"Ø x .25"D

1710.30

30"Ø x 6"H x 7.5" fixed height  
Ceiling Plate: 4.5"Ø x .25"D

## NET WT

4 lbs.

6 lbs.

8 lbs.

12 lbs.

16 lbs.

## VOLTAGE / LAMP TYPE

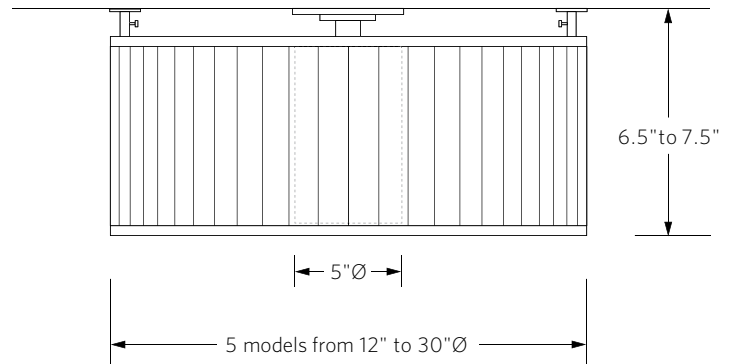
120V, 15W, E26 base, A19 LED lamp, frosted.  
2,700°K, 90+ CRI, 1,600 lumens.

CA Title 24-JA8-2019-E

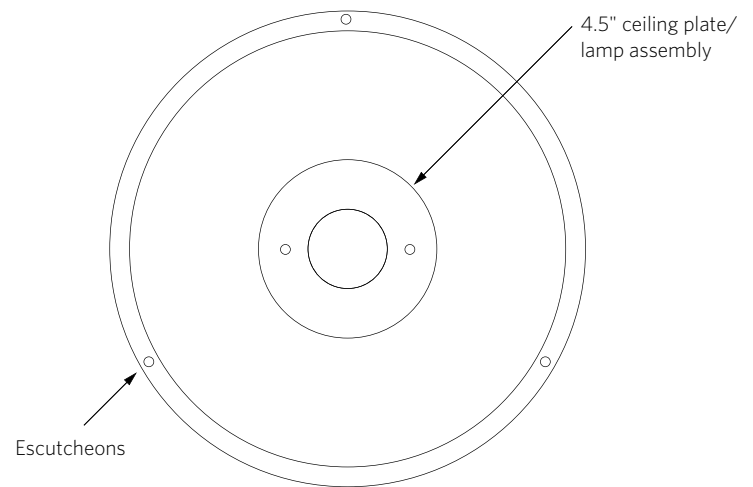
## PLEASE SPECIFY

Finish & shade color.

SIDE VIEW



TOP VIEW



Note: Fixture body mounts independently from 4.5" ceiling plate/lamp assembly with 3 or 4 escutcheons.

Template provided for mounting screw layout.



Shown: 24"Ø model in Deep brown oxide and Seeded opal glass, with cable suspension.

# B R I N G S U S P E N S I O N

## MODEL NUMBER

1720

## DESCRIPTION

Fabricated copper frame with cut glass shade and etched Pyrex inner diffuser. Copper ceiling plate and hardware. Ball chain or cable suspension.

## FINISH

Deep brown oxide, Deep black oxide or Satin nickel. .

## KILN FORMED GLASS

Clear, Opal white, Pale gold, Sand or Seeded opal. Etched Pyrex diffuser.

Note: 24" & 30" fixtures available in Seeded opal glass only.

DIMENSIONS	MIN OAL	NET WT
------------	---------	--------

1720.12

12"Ø x 8"H	12" Min. OAL	6 lbs.
------------	--------------	--------

Ceiling Plate: 5.5"Ø x .25"D

1720.15.5

15.5"Ø x 8"H	12" Min. OAL	10 lbs.
--------------	--------------	---------

Ceiling Plate: 8"Ø x .25"D

1720.19

19"Ø x 10"H	14" Min. OAL	15 lbs.
-------------	--------------	---------

Ceiling Plate: 8"Ø x .25"D

1720.24

24"Ø x 10"H	14" Min. OAL	20 lbs.
-------------	--------------	---------

Ceiling Plate: 8"Ø x .25"D

1720.30

30"Ø x 10"H	14" Min. OAL	30 lbs.
-------------	--------------	---------

Ceiling Plate: 8"Ø x .25"D

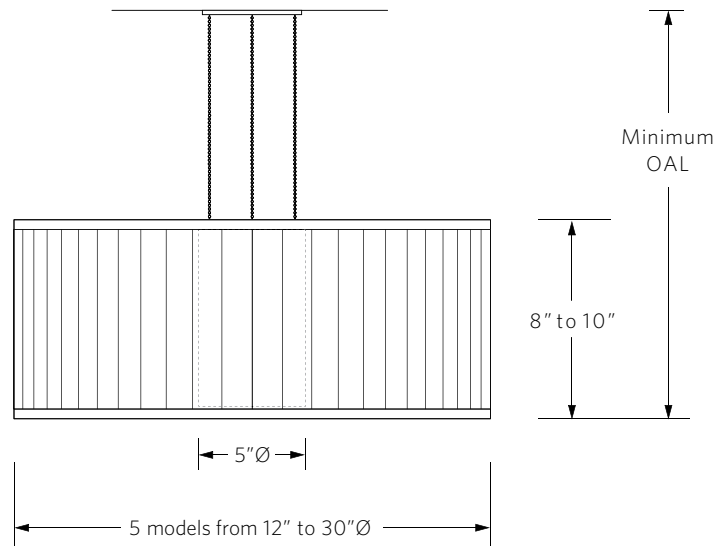
## VOLTAGE / LAMP TYPE

120V, 15W, E26 base, A19 LED lamp, frosted. 2,700°K, 90+ CRI, 1,600 lumens.

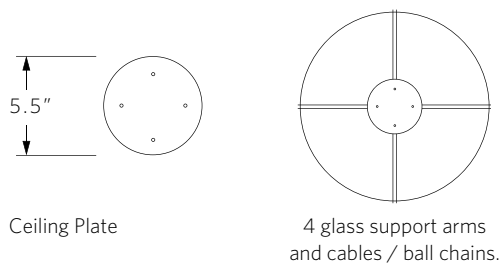
CA Title 24-JA8-2019-E

## PLEASE SPECIFY

Size, finish, glass color, ball chain or cable suspension & OAL (net price includes ball chain / cable for an OAL of up to 48"). Refer to price book for additional chain / cable length. OAL can be adjusted in the field at installation.



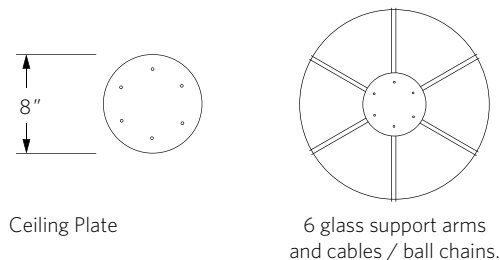
### Model 1720.12



Ceiling Plate

4 glass support arms and cables / ball chains.

### Models 1720.15.5, 1720.19, 1720.24, 1720.30



Ceiling Plate

6 glass support arms and cables / ball chains.



Shown: 6.75"Ø model in Deep brown oxide and Helbeige glass.

**MODEL NUMBER**

2010

**DESCRIPTION**

Fixed height, surface mount. Mold blown glass shade with copper glass supports & ceiling plate.

**FINISH**

Deep brown oxide, Deep black oxide, or Satin Nickel.

**MOLD BLOWN GLASS**

Helbeige, Opal white, Quicksilver or Woodsmoke.  
(Inside acid etch).

**DIMENSIONS**

2010.4.5

4.5"Ø x 8.5" fixed height.

Ceiling Plate: 4.5"Ø x .25"D

**NET WT**

5 lbs.

2010.6.75

6.75"Ø x 12" fixed height.

Ceiling Plate: 4.5"Ø x .25"D

10 lbs.

2010.9

9"Ø x 16" fixed height.

Ceiling Plate: 4.5"Ø x .25"D

14 lbs.

**VOLTAGE / LAMP TYPE**

2010.4.5

120V, 9W, GU24 base, A19 LED lamp, frosted.

2,700°K, 90+ CRI, 800 lumens.

2010.6.75

120V, 15W, E26 base, A19 LED lamp, frosted.

2,700°K, 90+ CRI, 1,600 lumens.

2010.9

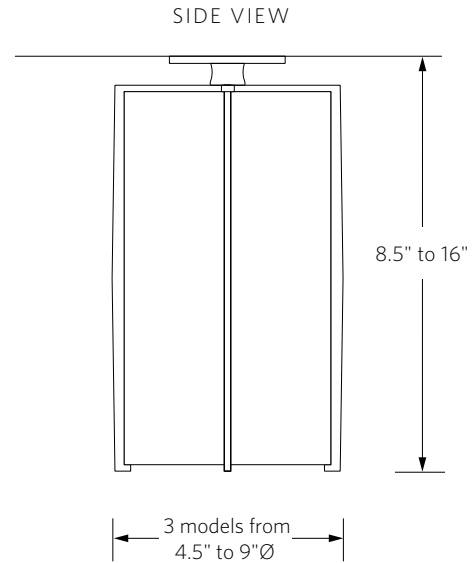
120V, 15W, E26 base, A19 LED lamp, frosted.

2,700°K, 90+ CRI, 1,600 lumens.

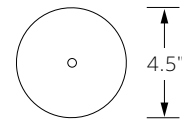
CA Title 24-JA8-2019-E

**PLEASE SPECIFY**

Size, finish & shade color.



Ceiling plate





Shown: 6.75"Ø model in Deep brown oxide and Helbeige glass, with ball chain suspension.

**MODEL NUMBER**  
2020

**DESCRIPTION**  
Mold blown glass shade with copper glass supports and ceiling plate.

**FINISH**  
Deep brown oxide, Deep black oxide, or Satin Nickel.

**MOLD BLOWN GLASS**  
Helbeige, Opal white, Quicksilver or Woodsmoke.  
(Inside acid etch).

DIMENSIONS	MIN OAL	NET WT
2020.4.5 4.5"Ø x 7.5"H Ceiling Plate: 4.5"Ø x .25"D	12" Min. OAL	5 lbs.
2020.6.75 6.75"Ø x 11"H Ceiling Plate: 4.5"Ø x .25"D	15" Min. OAL	10 lbs.
2020.9 9"Ø x 15"H Ceiling Plate: 4.5"Ø x .25"D	19" Min. OAL	14 lbs.

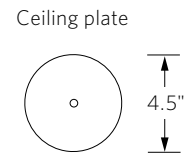
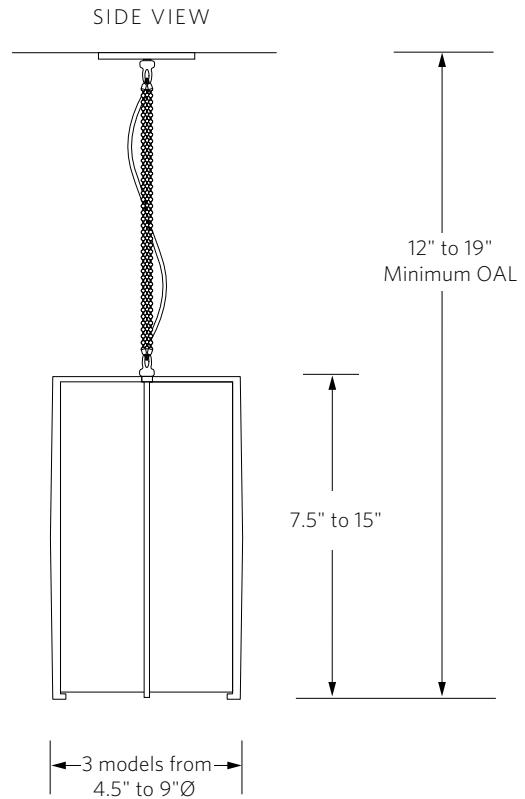
**VOLTAGE / LAMP TYPE**  
2020.4.5  
120V, 9W, GU24 base, A19 LED lamp, frosted.  
2,700°K, 90+ CRI, 800 lumens.

2020.6.75  
120V, 15W, E26 base, A19 LED lamp, frosted.  
2,700°K, 90+ CRI, 1,600 lumens.

2020.9  
120V, 15W, E26 base, A19 LED lamp, frosted.  
2,700°K, 90+ CRI, 1,600 lumens.

CA Title 24-JA8-2019-E

**PLEASE SPECIFY**  
Size, finish, shade color, type of suspension & OAL.  
Net price includes ball chain/stem for an OAL of up to 48". Refer to price book for additional chain/stem length. Ball chain OAL can be shortened in the field at installation.







Shown: 4.5"Ø model in Deep brown oxide and Helbeige glass.

**MODEL NUMBER**  
2040

**DESCRIPTION**

Mold blown glass shade with copper wall plate, arm, glass supports & hardware.

**FINISH**

Deep brown oxide, Deep black oxide, or Satin Nickel.

**MOLD BLOWN GLASS**

Helbeige, Opal white, Quicksilver or Woodsmoke.  
(Inside acid etch).

DIMENSIONS	SHADE	NET WT
2040.4.5 6"W x 11"H x 6"D	4.5"Ø x 7.5"H	9 lbs.

2040.6.75 7.5"W x 14"H x 8"D	6.75"Ø x 9.5"H	15 lbs.
---------------------------------	----------------	---------

2040.9 12"W x 24"H x 14"D	9"Ø x 15"H	33 lbs.
------------------------------	------------	---------

**VOLTAGE / LAMP TYPE**

2040.4.5  
120V, 9W, GU24 base, A19 LED lamp,  
frosted. 2,700°K, 90+ CRI, 800 lumens.

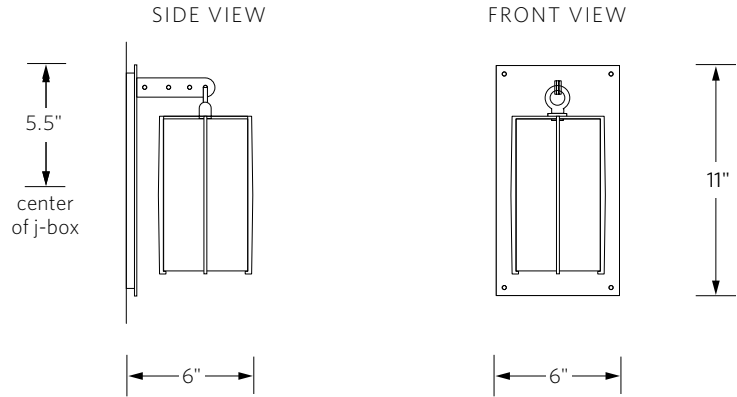
2040.6.75  
120V, 15W, E26 base, A19 LED lamp, frosted.  
2,700°K, 90+ CRI, 1,600 lumens.

2040.9  
120V, 15W, E26 base, A19 LED lamp, frosted.  
2,700°K, 90+ CRI, 1,600 lumens.

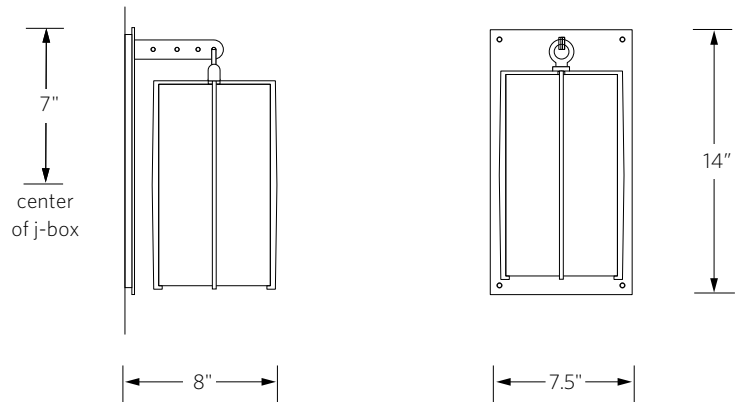
CA Title 24-JA8-2019-E

**PLEASE SPECIFY**

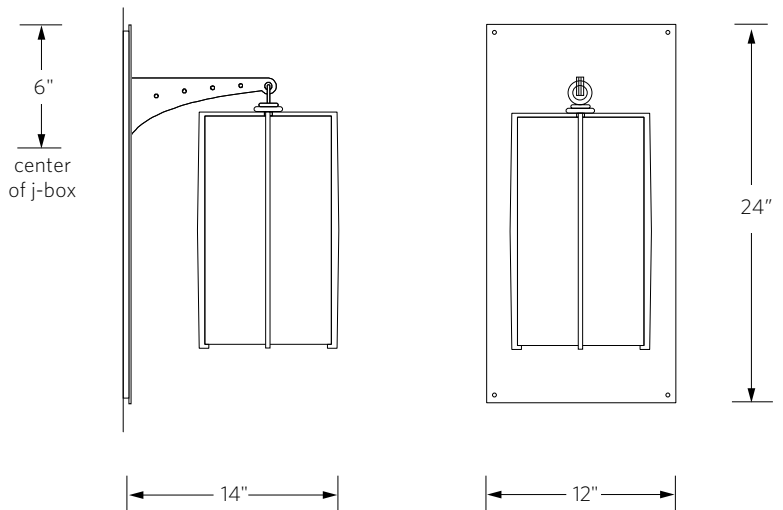
Please specify finish & shade color.  
Backplate centers on j-box.



**Model 2040.4.5**



**Model 2040.6.75**

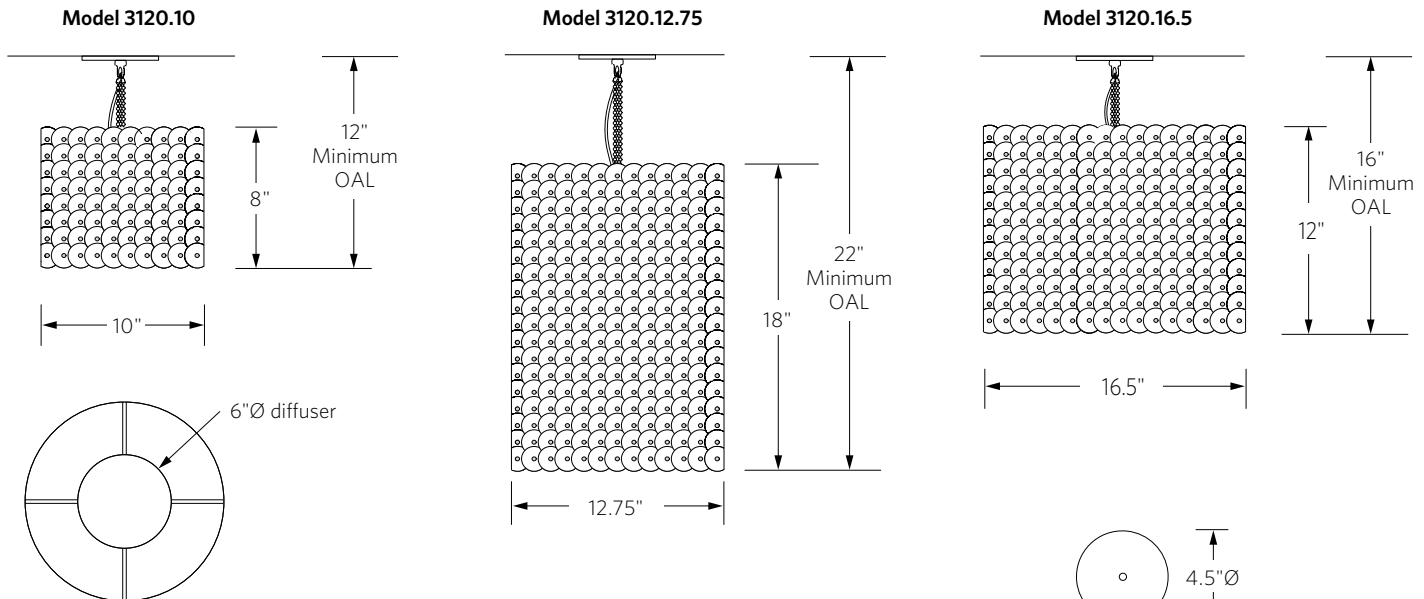


**Model 2040.9**

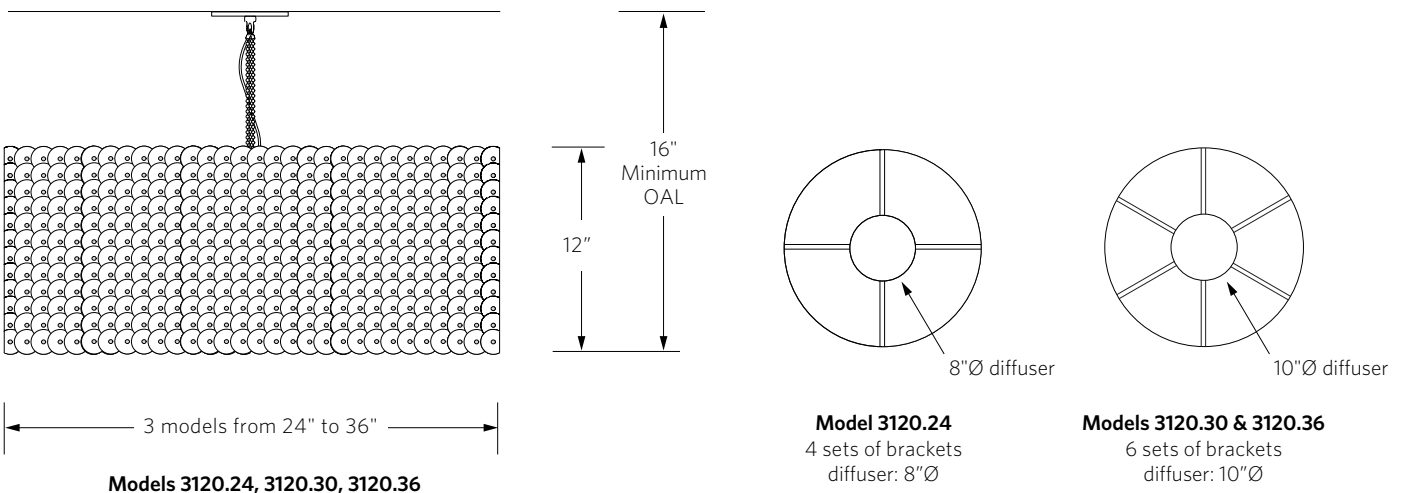
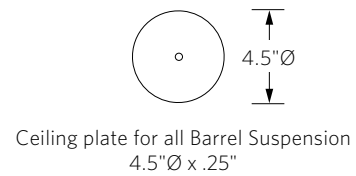


Shown: 24"Ø model, with ball chain suspension.

MODEL NUMBER	DIMENSIONS	MIN OAL	NET WT	VOLTAGE / LAMP TYPE
3120	3120.10	12" Min. OAL	6 lbs.	120V, 9W, GU24 base, A19 LED lamp, frosted.
<b>DESCRIPTION</b> Shade of die cut mica discs & copper rivets, with an etched Lucite diffuser and steel hardware. Ball chain or rigid stem suspension.	3120.12.75	22" Min. OAL	14 lbs.	2,700°K, 90+ CRI, 800 lumens.
	3120.16.5	16" Min. OAL	16 lbs.	3120.12.75, 3120.16.5, 3120.24, 3120.30, 3120.36
	3120.24	16" Min. OAL	20 lbs.	120V, 15W, E26 base, A19 LED lamp, frosted.
<b>FINISH</b> Deep brown oxide.	3120.30	16" Min. OAL	24 lbs.	2,700°K, 90+ CRI, 1,600 lumens.
	3120.36	16" Min. OAL	32 lbs.	CA Title 24-JA8-2019-E
<b>SHADE</b> Mica discs with an etched Lucite diffuser.				<b>PLEASE SPECIFY</b> Size, type of suspension & OAL (net price includes ball chain / stem for an OAL of up to 48"). Refer to price book for additional chain / stem length. Ball chain OAL can be shortened in the field at installation.
<b>CEILING PLATE</b> 4.5"Ø x .25"D				



Models 3120.10, 3120.12.75 & 3120.16.5  
4 sets of brackets  
diffuser: 6"Ø



Models 3120.24, 3120.30, 3120.36

Model 3120.24  
4 sets of brackets  
diffuser: 8"Ø

Models 3120.30 & 3120.36  
6 sets of brackets  
diffuser: 10"Ø



Shown: 12.75"Ø model.

# BARREL TABLE

## MODEL NUMBER

3160

## DESCRIPTION

Shade of die cut mica discs & copper rivets, with an etched Lucite diffuser and steel hardware.

## FINISH

Deep brown oxide.

## SHADE

Mica discs with an etched Lucite diffuser.

## DIMENSIONS

3160.10

10"Ø x 15.5"H

Diffuser: 6"Ø

## NET WT

6 lbs.

3160.12.75

12.75"Ø x 20"H

Diffuser: 6"Ø

14 lbs.

## VOLTAGE / LAMP TYPE

120V, 15W, E26 base, A19 LED lamp, frosted.

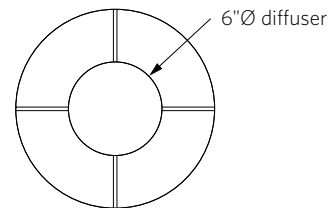
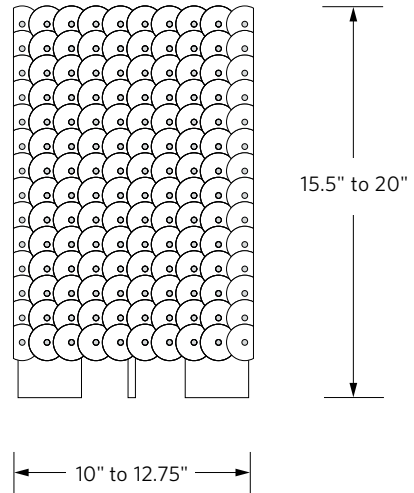
2,700°K, 90+ CRI, 1,600 lumens.

Cord dimmer.

CA Title 24-JA8-2019-E.

## PLEASE SPECIFY

Size.



4 sets of brackets  
diffuser: 6"Ø





Shown: 9.5"Ø model in Opal white glass.

**MODEL NUMBER**

1420

**DESCRIPTION**

Steel caged, blown glass shade, copper ceiling plate & ball chain suspension.

**FINISH**

Deep brown oxide or Deep black oxide.  
*Not available in Satin nickel.*

**BLOWN GLASS**

Helbeige, Opal white, Quicksilver or Woodsmoke.

**DIMENSIONS      MIN OAL      NET WT**

1420.9.5  
 9.5"Ø x 11"H      24"      7 lbs.  
 Ceiling plate: 4.5"Ø x 3"D

1420.15.5  
 15.5"Ø x 16.5"H      30"      22 lbs.  
 Ceiling plate: 4.5"Ø x 3"D

**VOLTAGE / LAMP TYPE**

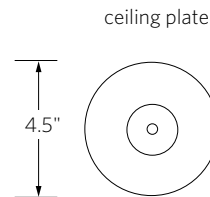
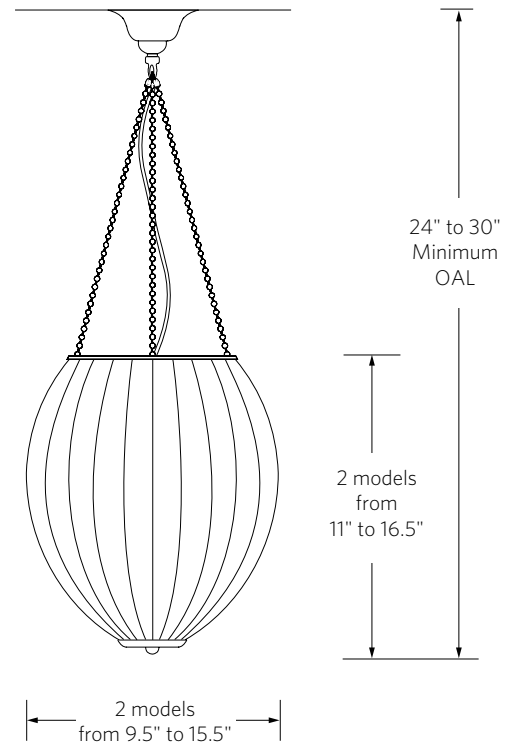
1420.9.5  
 120V, 8.5W, E26 base, T12 LED filament lamp.  
 2,700°K, 90 CRI, 800 lumens.

1420.15.5  
 120V, 8.5W, E26 base, T12 LED filament lamp.  
 2,700°K, 90 CRI, 800 lumens.

CA Title 24-JA8-2019-E

**PLEASE SPECIFY**

Size, finish, shade color & OAL (net price includes ball chain for an OAL of up to 48"). Refer to price book for additional chain length. Ball chain OAL can be shortened in the field at installation.







Shown: 42"Ø model in Satin nickel and Opal white glass.

**MODEL NUMBER**  
4020

**DESCRIPTION**  
Suspended ring of corrugated copper or brass, lined with kiln formed glass. Cable suspension.

**FINISH**  
Deep brown oxide, Deep black oxide, Japanesque, Natural Brass or Satin nickel.

**KILN FORMED GLASS**  
Clear or Opal white

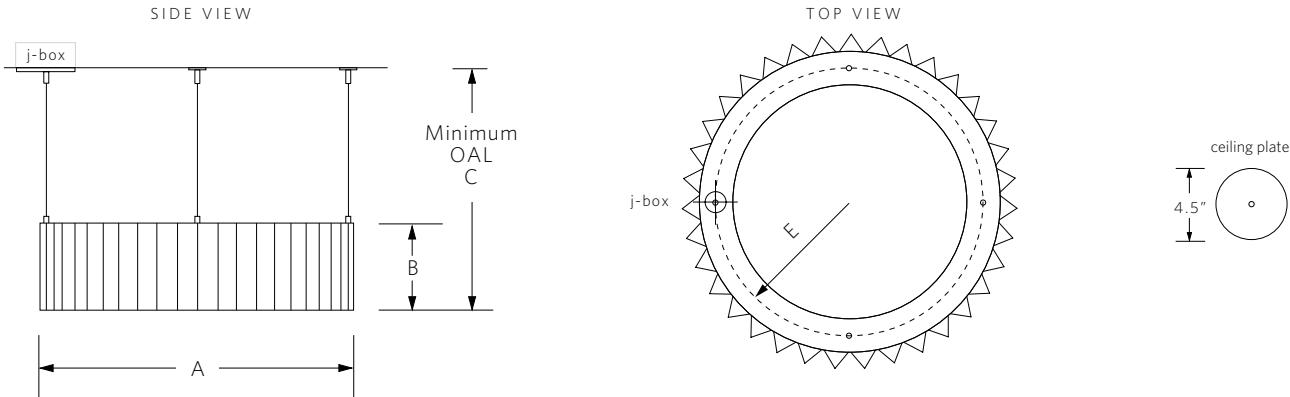
**DIMENSIONS**  
Available in 7 sizes. Note height to diameter ratio.

**CEILING PLATE**  
4.5"Ø x .25"D

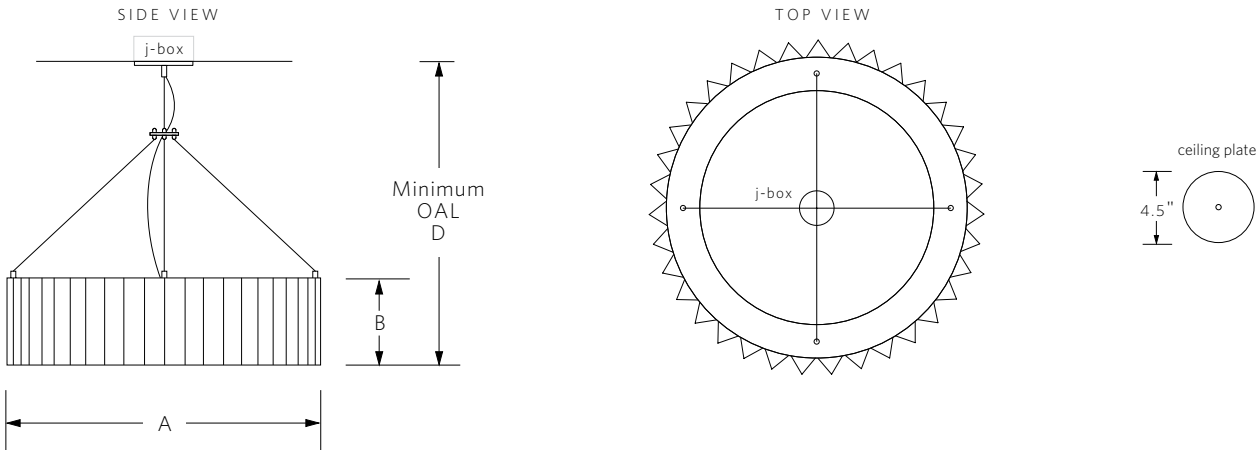
**PLEASE SPECIFY**  
Size, finish, glass color & OAL. Please select suspension type: Option 1 (straight cables; off-center j-box), or Option 2, (angled cables; center j-box). Minimum OAL varies with suspension option (see table below). OAL can be adjusted in the field at installation.

**VOLTAGE / LAMP TYPE**  
Integrated LED, 24V, 2,700°K / 98 CRI Ra / 93 CRI R9 / 94 TM30 Rf / 101 TM30 Rg 30,000 hr.  
120V to 24V dimmable driver included. Must be located in remote cubby / crawl space.  
See specific LED specs for each model in table below.  
CA Title 24-JA8-2016

**Suspension Option 1** - 4 individual cables for off-center j-box



**Suspension Option 2** - 4 cables joined to 1, for center j-box



Model	A	B	C	D	E	Net Wt	Voltage/Lamp
Gear Suspension 4020.18	18"	5"	N/A	18"	7.625"	12 lbs.	24V, 25W, 2,700°K , 98 CRI, 2,152 lumens.
Gear Suspension 4020.24	24"	6"	12"	24"	10.5"	15 lbs.	24V, 37W, 2,700°K , 98 CRI, 3,257 lumens.
Gear Suspension 4020.30	30"	7"	13"	30"	13.5"	21 lbs.	24V, 50W, 2,700°K , 98 CRI, 4,363 lumens.
Gear Suspension 4020.36	36"	8"	14"	36"	16.625"	30 lbs.	24V, 63W, 2,700°K , 98 CRI, 5,468 lumens.
Gear Suspension 4020.42	42"	9"	15"	42"	19.5"	40 lbs.	24V, 75W, 2,700°K , 98 CRI, 6,573 lumens.
Gear Suspension 4020.48	48"	10"	16"	48"	22.5"	46 lbs.	24V, 87W, 2,700°K , 98 CRI, 7,620 lumens.
Gear Suspension 4020.54	54"	11"	17"	54"	25.5"	50 lbs.	24V, 100W, 2,700°K , 98 CRI, 8,725 lumens.

Note: For suspension option 1, j-box can be located at any point along radius path E (see table and illustration above). Three appropriate ceiling anchors must be installed on remaining intersections. Anchors must be sufficient to support 25% of fixture weight. For suspension Option 2, j-box must be blocked sufficiently to support full fixture weight.



Shown: 8" model.

**MODEL NUMBER**

1010

**DESCRIPTION**

Czech, English cut, clear glass beads trapped in stainless steel wirecloth, lined with Opal white glass.

**FINISH**

Satin nickel.

**SHADE**

Clear glass beads.  
Interior lining: Opal white glass (only).

**DIMENSIONS**

**NET WT**

1010.8  
8"W x 8"L x 9" fixed height 10 lbs.  
Ceiling plate: 7.5"W x 7.5"L x 1"D

1010.10  
10"W x 10"L x 11" fixed height 18 lbs.  
Ceiling plate: 9.5"W x 9.5"L x 1"D

1010.20  
20"W x 20"L x 6" fixed height. 25 lbs.  
Ceiling plate: 19.5"W x 19.5"L x 1"D

**VOLTAGE / LAMP TYPE**

1010.8  
120V, 9W, GU24 base, A19 LED lamp, frosted.  
2,700°K, 90+ CRI, 800 lumens.

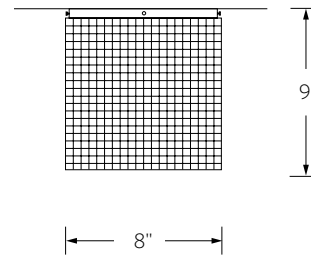
1010.10  
120V, 15W, E26 base, A19 LED lamp, frosted.  
2,700°K, 90+ CRI, 1,600 lumens.

1010.20  
120V, 36W (4 x 9W), GU24 base, A19 LED lamp,  
frosted. 2,700°K, 90+ CRI, 3,200 lumens.

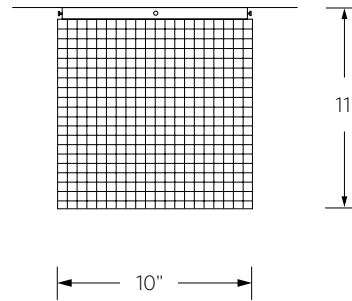
CA Title 24-JA8-2019-E

**PLEASE SPECIFY**

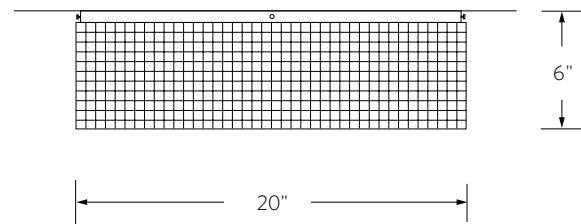
Size.



**Model 1010.8**



**Model 1010.10**



**Model 1010.20**





Shown: 10" model.

**MODEL NUMBER**

1020

**DESCRIPTION**

Czech, English cut, clear glass beads, trapped in stainless wire cloth, lined with glass. Cable or rigid stem suspension.

**FINISH**

Satin nickel.

**SHADE**

Clear glass beads.

Interior lining: Opal white glass (only).

**DIMENSIONS      MIN OAL      NET WT**

1020.8  
8"W x 8"L x 8"H      14" Min. OAL      10 lbs.  
Ceiling Plate: 4.5"Ø x 1"D

1020.10  
10"W x 10"L x 15"H      20" Min. OAL      27 lbs.  
Ceiling Plate: 4.5"Ø x 1"D

**VOLTAGE / LAMP TYPE**

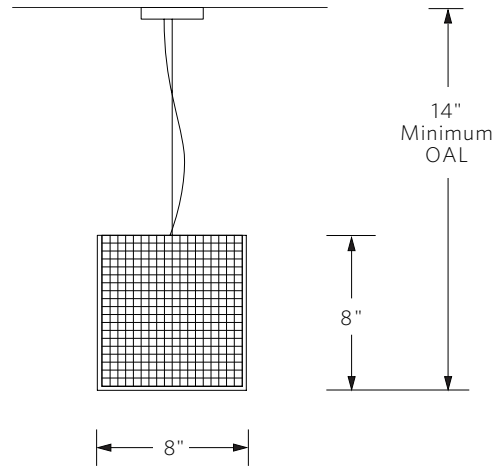
1020.8  
120V, 9W, GU24 base, A19 LED lamp, frosted.  
2,700°K, 90+ CRI, 800 lumens.

1020.10  
120V, 15W, E26 base, A19 LED lamp, frosted.  
2,700°K, 90+ CRI, 1,600 lumens.

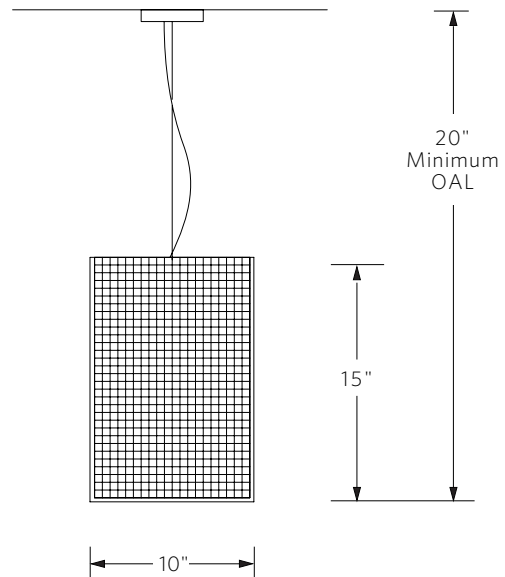
CA Title 24-JA8-2019-E

**PLEASE SPECIFY**

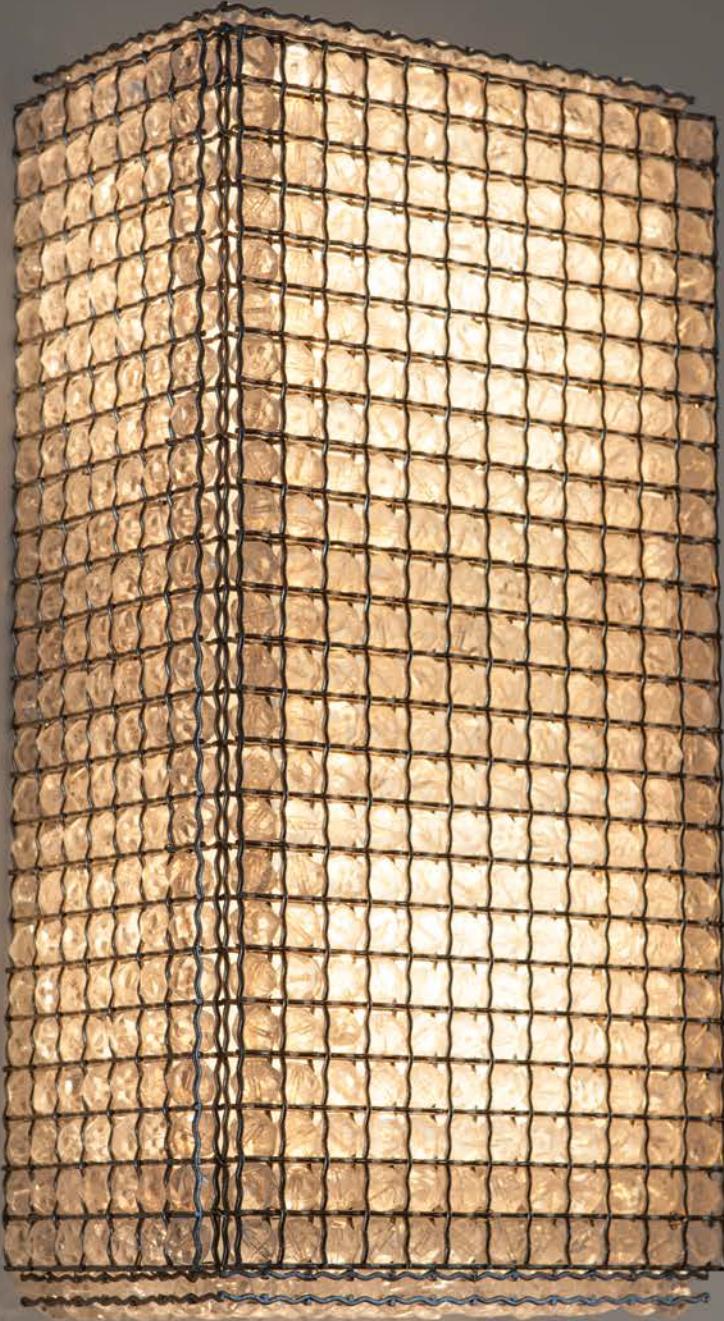
Cable or rigid stem suspension & OAL (net price includes cable/stem for an OAL of up to 48"). Refer to price book for additional cable/stem length. Cable OAL can be adjusted in the field at installation.



**Model 1020.8**



**Model 1020.10**



Shown: 12.5" model.



**MODEL NUMBER**

1040 (must be mounted vertically)

**DESCRIPTION**

Czech, English cut, clear glass beads trapped in stainless steel wirecloth, lined with Opal white glass.

**FINISH**

Satin nickel (wall plate; not visible).

**SHADE**

Clear glass beads. Interior lining: Opal white glass (only).

**DIMENSIONS**

	<b>NET WT</b>
1040.12.5	
6.5"W x 12.5"H x 4"D	10 lbs.
Back plate centers on j-box. ADA compliant.	
1040.18	
6.5"W x 18"H x 4"D	15 lbs.
Back plate centers on j-box. ADA compliant.	
1040.24	
6.5"W x 24"H x 4"D	20 lbs.
Back plate centers on j-box. ADA compliant.	

**VOLTAGE / LAMP TYPE**

- 1040.12.5  
120V, 12W (2 x 6W), E12 base, LED lamp.  
2,700°K, 90+ CRI, 1,200 lumens.
- 1040.18  
120V, 18W (3 x 6W), E12 base, LED lamp.  
2,700°K, 90+ CRI, 1,800 lumens.
- 1040.24  
120V, 24W (4 x 6W), E12 base, LED lamp.  
2,700°K, 90+ CRI, 2,400 lumens.

CA Title 24-JA8-2016

**MODEL NUMBER**

1050 (must be mounted horizontally)

**DESCRIPTION**

Czech, English cut, clear glass beads trapped in stainless steel wirecloth, lined with Opal white glass

**FINISH**

Satin nickel (wall plate; not visible).

**SHADE**

Clear glass beads. Interior lining: Opal white glass.

**DIMENSIONS**

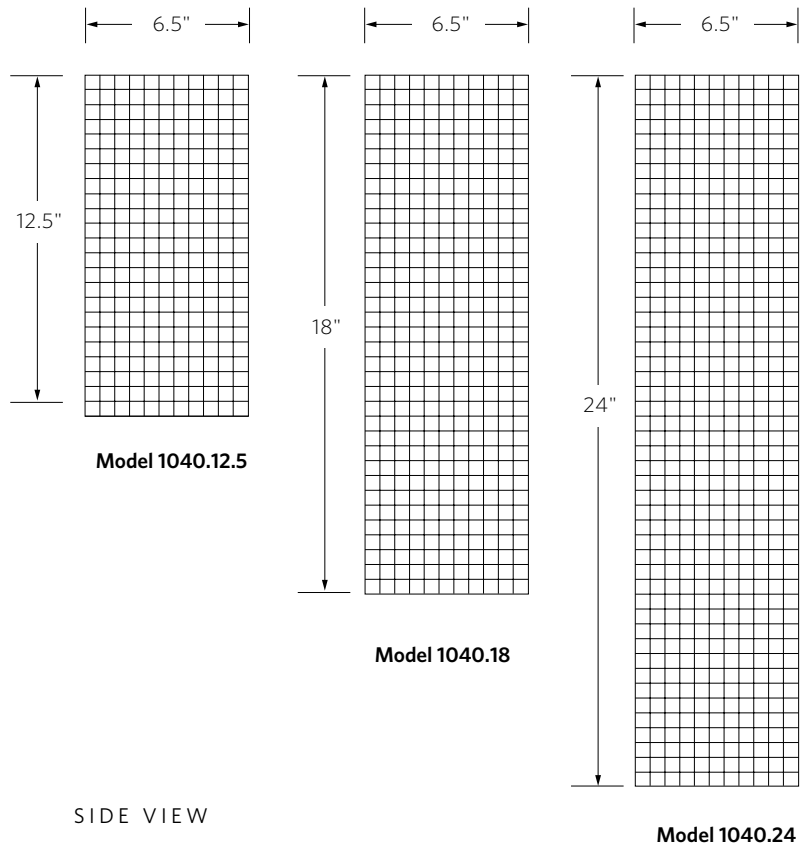
	<b>NET WT</b>
1050.24	
24"W x 6.5"H x 4"D	20 lbs.
Back plate centers on j-box. ADA compliant.	

**VOLTAGE / LAMP TYPE**

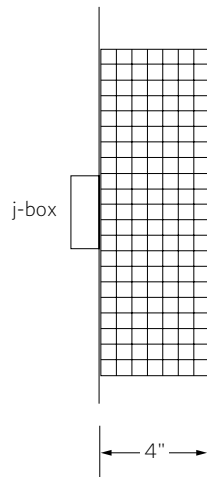
- 1050.24  
120V, 24W (4 x 6W), E12 base, LED lamp.  
2,700°K, 90+ CRI, 2,400 lumens.

CA Title 24-JA8-2016

FRONT VIEW



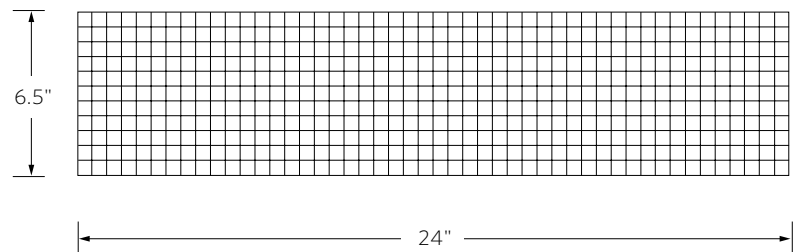
SIDE VIEW



Side View (all models)

All 1040 and 1050 models are ADA compliant with a 4" Depth.  
All back plates center on j-box.

FRONT VIEW



Glimmer Vanity - Model 1050.24





Shown: 6.5" model in Deep brown oxide and Helbeige glass.

**MODEL NUMBER**

2440

**DESCRIPTION**

Copper body, mold blown glass shade.

**FINISH**

Deep brown oxide, Deep black oxide, or Satin Nickel

**MOLD BLOWN GLASS**

Helbeige, Opal white, Quicksilver or Woodsmoke. (Inside acid etch).

**DIMENSIONS**

2440.6.5

4.125"W x 6.5"H x 5.25"D  
Back plate: 4.125"W x 6.5"H  
Shade: 3.375"Ø x 5"H

**NET WT**

4 lbs.

2440.9.5

7"W x 9.5"H x 8.125"D  
Back plate: 7"W x 9.5"H  
Shade: 6"Ø x 8"H

10 lbs.

2440.12

4"W x 12"H x 3.375"D  
Back plate: 4"W x 12"H  
Shade: 2.5"Ø x 8.25"H

6 lbs.

**VOLTAGE / LAMP TYPE**

2440.6.5\*

120V, 6W, E12 base, LED lamp.  
2,700°K, 90+ CRI, 600 lumens.

2440.9.5\*\*

120V, 9W, GU24 base,  
A19 LED lamp, frosted.  
2,700°K, 90+ CRI, 800 lumens.

2440.12\*

120V, 6W, E12 base, LED lamp.  
2,700°K, 90+ CRI, 600 lumens.

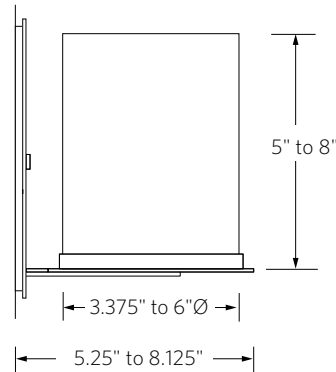
CA Title 24-JA8-2016\*

CA Title 24-JA8-2019-E\*\*

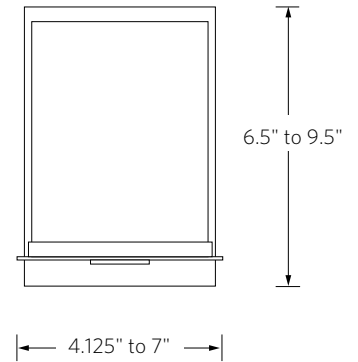
**PLEASE SPECIFY**

Size, finish & shade color.  
Back plate centers on j-box.

SIDE VIEW

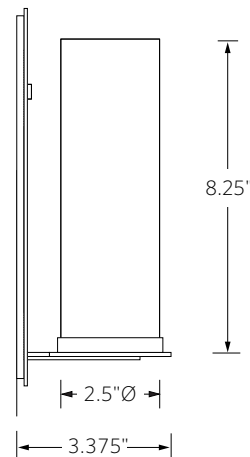


FRONT VIEW

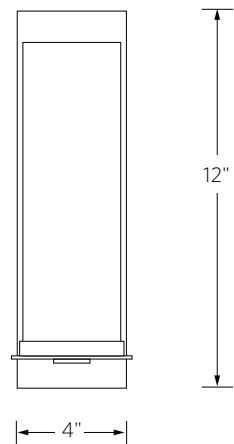


**Model 2440.6.5 and 2440.9.5**

SIDE VIEW



FRONT VIEW



**Model 2440.12**



Shown: 10.5" model in Deep brown oxide and Opal white glass.

# HEX LANTERN SURFACE MOUNT

## MODEL NUMBER

2110

## DESCRIPTION

Square cut, perforated copper body, lined with flat glass. Hand forged copper ceiling plate & hardware. Cast link suspension.

## FINISH

Deep brown oxide or Deep black oxide.

## KILN FORMED GLASS

Clear, Opal white, Pale gold, Sand or Seeded opal.

## DIMENSIONS

## NET WT

2110.9.5

6.5"W x 12" fixed height

6 lbs.

Ceiling plate: 4.5"W x 5"L x .375"D, hexagonal.

2110.10.5

10.5"W x 13" fixed height

10 lbs.

Ceiling plate: 4.5"W x 5"L x .375"D, hexagonal.

2110.15.5

10.5"W x 18" fixed height

14 lbs.

Ceiling plate: 4.5"W x 5"L x .375"D, hexagonal.

## VOLTAGE / LAMP TYPE

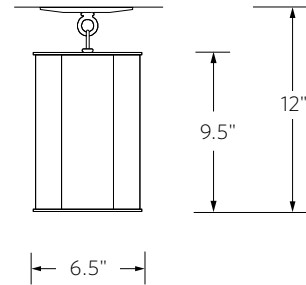
120V, 8.5W, E26 base, T12 LED filament lamp.

2,700°K, 90 CRI, 800 lumens.

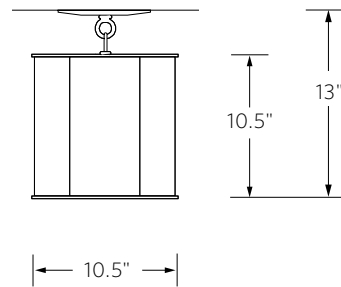
CA Title 24-JA8-2019-E.

## PLEASE SPECIFY

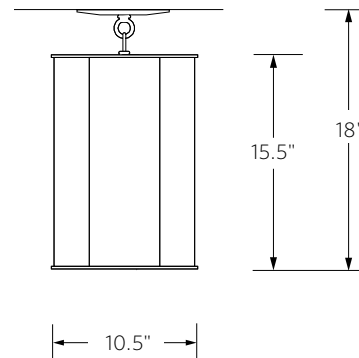
Size, finish, and shade color.



Model 2110.9.5



Model 2110.10.5



Model 2110.15.5



Shown: 15.5" model in Deep brown oxide and Opal white glass.

**MODEL NUMBER**

2120

**DESCRIPTION**

Square cut, perforated copper body, lined with flat glass. Hand forged copper ceiling plate & hardware. Ball chain or rigid stem suspension.

**FINISH**

Deep brown oxide or Deep black oxide.

**KILN FORMED GLASS**

Clear, Opal white, Pale gold, Sand or Seeded opal.

**DIMENSIONS**

2120.9.5

6.5"W x 9.5"H

2120.10.5

10.5"W x 10.5"H

2120.15.5

10.5"W x 15.5"H

**MIN OAL**

14" Min. OAL

16" Min. OAL

20" Min. OAL

**NET WT**

6 lbs.

10 lbs.

14 lbs.

**VOLTAGE / LAMP TYPE**

120V, 8.5W, E26 base, T12 LED filament lamp.  
2,700°K, 90 CRI, 800 lumens.

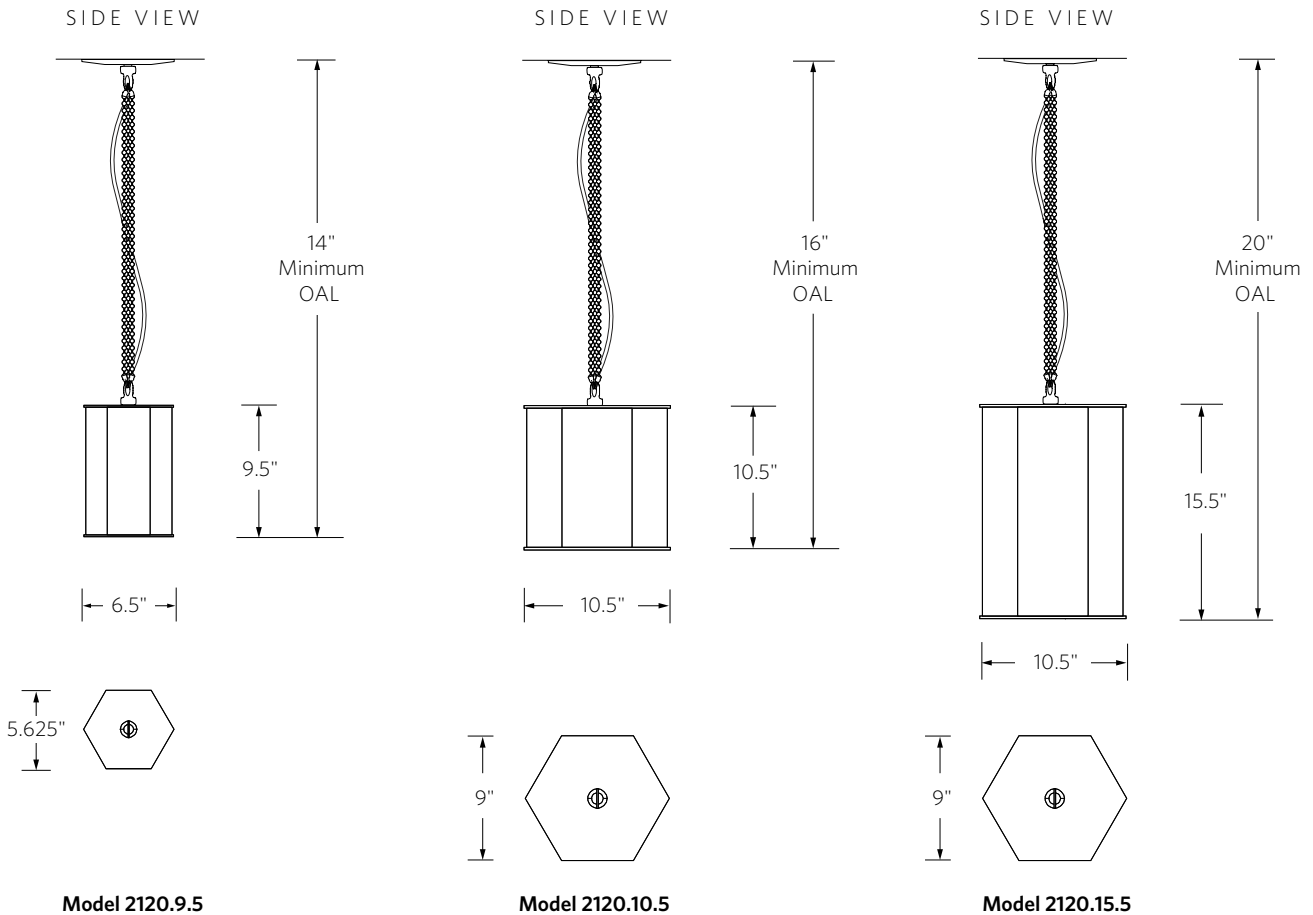
CA Title 24-JA8-2019-E

**PLEASE SPECIFY**

Size, finish, shade color, type of suspension and OAL (net price includes ball chain/stem for an OAL of up to 48"). Refer to price book for additional chain/stem length. Ball chain OAL can be shortened in the field at installation.

**CEILING PLATE**

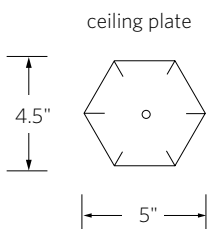
4.5"W x 5"L x .375"D, hexagonal.



**Model 2120.9.5**

**Model 2120.10.5**

**Model 2120.15.5**



All Hex Lantern suspension fixtures available with ball chain or rigid stem; please note minimum overall heights above.



Shown: 9.5" model in Deep brown oxide and Opal white glass.

# HEX LANTERN WALL

## MODEL NUMBER

2140

## DESCRIPTION

Square cut, perforated copper body, lined with flat glass. Copper wall plate, arm & hardware.

## FINISH

Deep brown oxide or Deep black oxide.

## KILN FORMED GLASS

Clear, Opal white, Pale gold, Sand or Seeded opal.

## DIMENSIONS

2140.9.5

7.5"W x 14"H x 9.25"D

Back plate: 7.5"W x 14"H

Shade: 6.5"W x 9.5"H

Back plate centers on j-box

## NET WT

12 lbs.

2140.10.5

12"W x 19"H x 14.75"D

Back plate: 12"W x 19"H

Shade: 10.5"W x 10.5"H

Center of j-box located 6" below top of back plate.

24 lbs.

2140.15.5

12"W x 24"H x 14.75"D

Back plate: 12"W x 24"H

Shade: 10.5"W x 15.5"H

Center of j-box located 6" below top of back plate.

32 lbs.

## VOLTAGE / LAMP TYPE

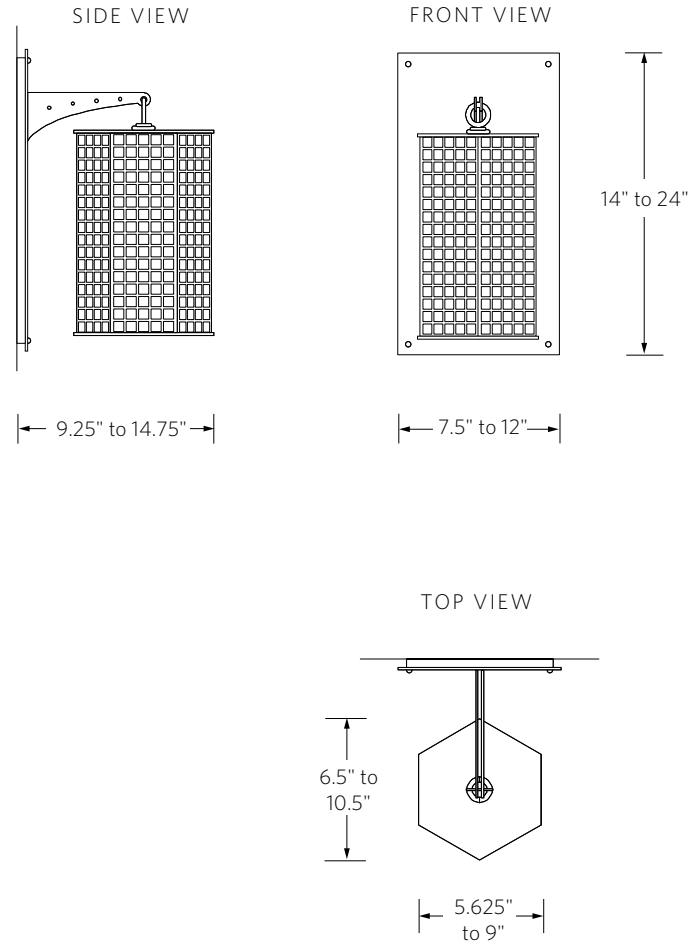
120V, 8.5W, E26 base, T12 LED filament lamp.

2,700°K, 90 CRI, 800 lumens.

CA Title 24-JA8-2019-E

## PLEASE SPECIFY

Finish & shade color. Please note j-box locations above.







Shown: 72" model

## MODEL NUMBER

3020

## DESCRIPTION

Shade of die cut mica discs & copper rivets with a Lucite frame and cable or rigid stem suspension.

## FINISH

Deep brown oxide.

## SHADE

Mica discs.

## DIMENSIONS

MODEL	MIN OAL	NET WT
3020.16	16"W x 16"L x 12"H 16" Min. OAL	30 lbs.
3020.36	10"W x 36"L x 15"H 24" Min. OAL	55 lbs.
3020.42	10"W x 42"L x 15"H 24" Min. OAL	60 lbs.
3020.48	10"W x 48"L x 15"H 24" Min. OAL	65 lbs.
3020.54	10"W x 54"L x 15"H 24" Min. OAL	75 lbs.
3020.60	10"W x 60"L x 15"H 24" Min. OAL	80 lbs.
3020.72	12"W x 72"L x 18"H 30" Min. OAL	120 lbs.

3020.36

10"W x 36"L x 15"H 24" Min. OAL 55 lbs.

3020.42

10"W x 42"L x 15"H 24" Min. OAL 60 lbs.

3020.48

10"W x 48"L x 15"H 24" Min. OAL 65 lbs.

3020.54

10"W x 54"L x 15"H 24" Min. OAL 75 lbs.

3020.60

10"W x 60"L x 15"H 24" Min. OAL 80 lbs.

3020.72

12"W x 72"L x 18"H 30" Min. OAL 120 lbs.

## CEILING PLATE

4.5"Ø x .25"

## VOLTAGE / LAMP TYPE

120V, E26 base, 2,700°K, 90+ CRI, A19 LED lamp, frosted.

3020.16 60W (4 x 15W), 6,400 lumens.

3020.36 75W (5 x 15W), 8,000 lumens.

3020.42 90W (6 x 15W), 9,600 lumens.

3020.48 105W (7 x 15W), 11,200 lumens.

3020.54 120W (8 x 15W), 12,800 lumens.

3020.60 135W (9 x 15W), 14,400 lumens.

3020.72 150W (10 x 15W), 16,000 lumens.

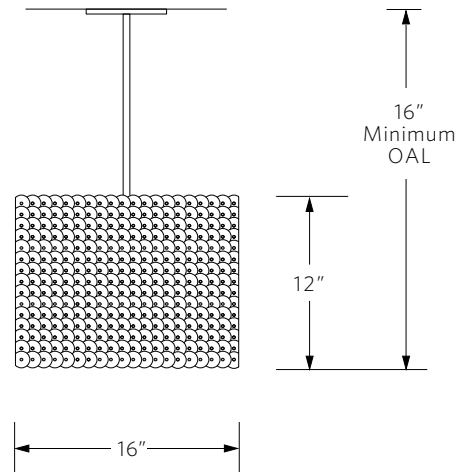
CA Title 24-JA8-2019-E

## PLEASE SPECIFY

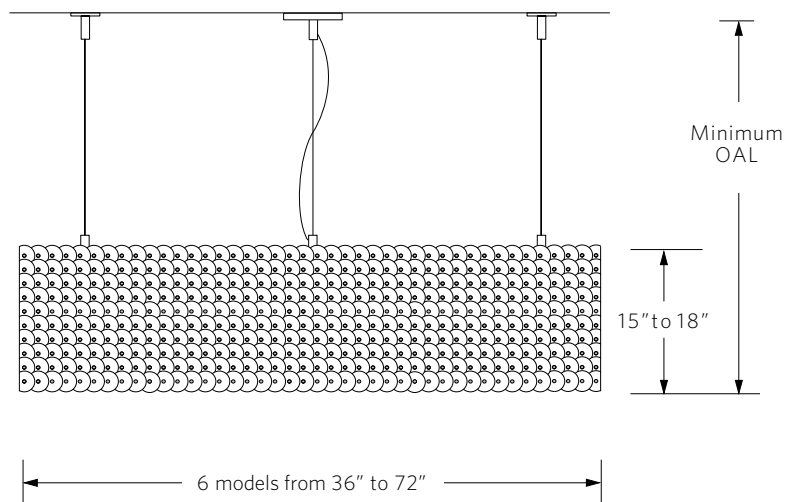
Cable or rigid stem suspension & OAL (net price includes cable/stem for an OAL of up to 48").

Refer to price book for additional cable/stem length.

Cable OAL can be adjusted in the field at installation.



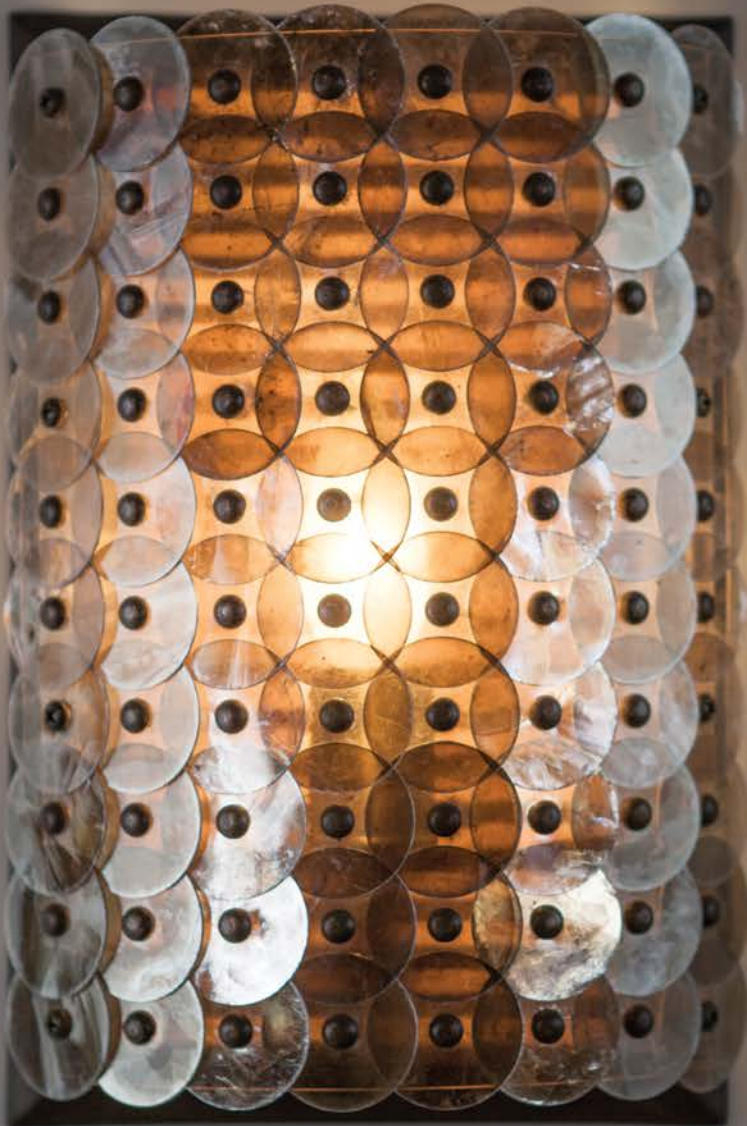
**Model 3020.16**  
(available in rigid stem only)



**Models 3020.36, 3020.42, 3020.48, 3020.54, 3020.60, 3020.72**

ceiling plate





Shown: 11.5" model



**MODEL NUMBER**

3040 (must be mounted vertically)

**DESCRIPTION**

Shade of die cut mica discs & copper rivets, bright copper corrugated reflector, copper wall plate.

**FINISH**

Deep brown oxide.

**SHADE**

Mica discs.

**DIMENSIONS**

3040.11.5  
7.5"W x 11.5"H x 3"D  
Back plate: 7.5"W x 11.5"H

**NET WT**

3 lbs.

3040.14  
12"W x 14"H x 3"D  
Back plate: 12"W x 14"H

6 lbs.

3040.24  
7.5"W x 24"H x 3"D  
Back plate: 7.5"W x 24"H

7 lbs.

**VOLTAGE / LAMP TYPE**

3040.11.5  
120V, 5.5W, E12 base, B10 LED filament lamp.  
2,700°K, 90+ CRI, 500 lumens.

3040.14  
120V, 5.5W, E12 base, B10 LED filament lamp.  
2,700°K, 90+ CRI, 500 lumens.

3040.24  
20V, 22W (4 x 5.5W), E12 base, B10 LED filament lamp.  
2,700°K, 90+ CRI, 2,000 lumens.

CA Title 24-JA8-2016

**MODEL NUMBER**

3050 (must be mounted horizontally)

**DESCRIPTION**

Shade of die cut mica discs & copper rivets, bright copper corrugated reflector, copper wall plate.

**FINISH**

Deep brown oxide.

**SHADE**

Mica discs.

**DIMENSIONS**

3050.24  
24"W x 8"H x 4"D  
Back plate: 24"W x 8"H

**NET WT**

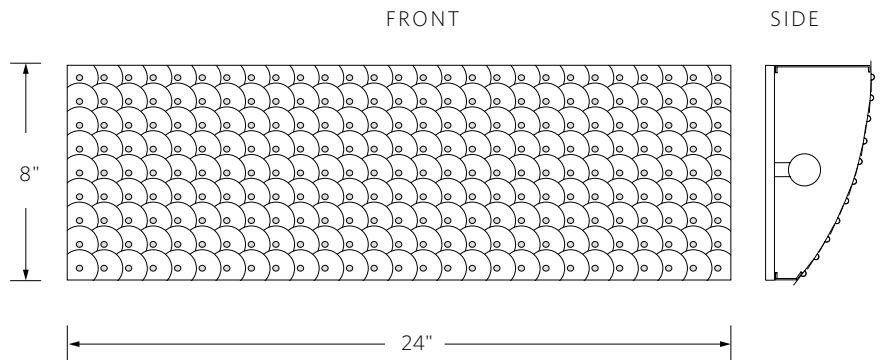
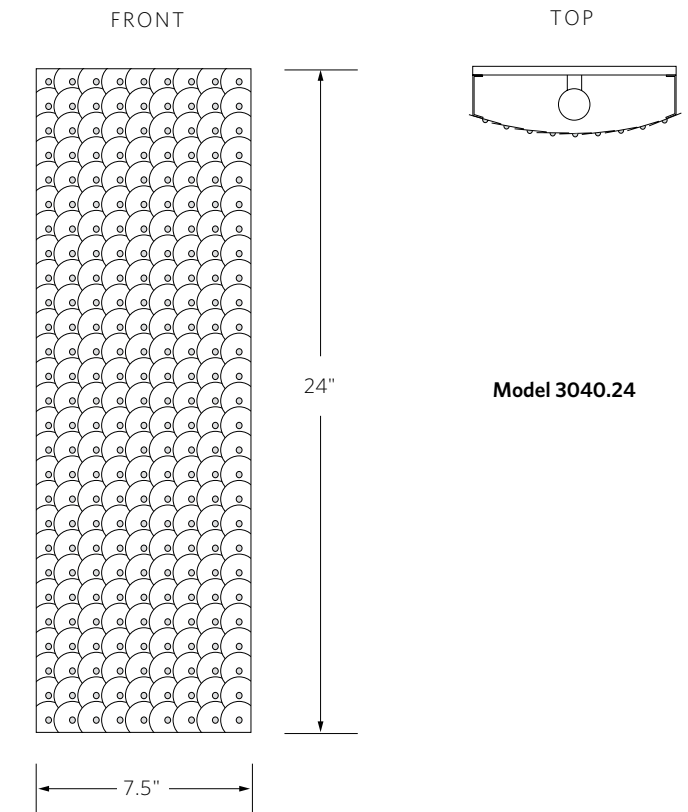
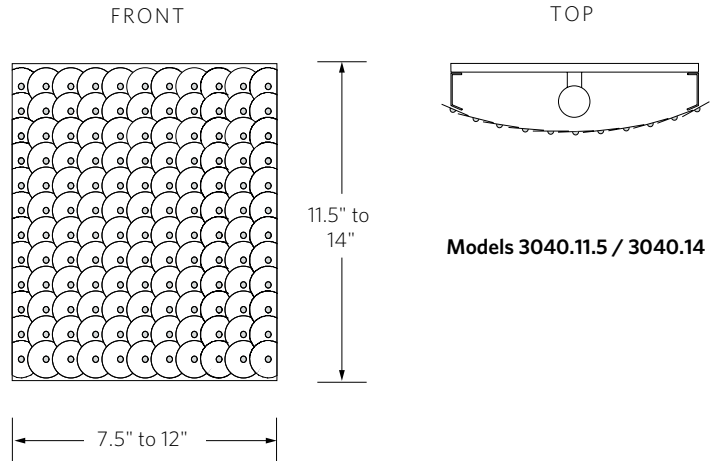
9 lbs.

**VOLTAGE / LAMP TYPE**

3050.24  
120V, 22W (4 x 5.5W), E12 base, B10 LED filament lamp.  
2,700°K, 90+ CRI, 2,000 lumens.

CA Title 24-JA8-2016

Back plate centers on j-box. ADA compliant.





**MODEL NUMBER**  
3060

**DESCRIPTION**

Shade of die cut mica discs & copper rivets, on a base of copper pipes, with an etched Lucite diffuser & steel hardware.

**FINISH**

Deep brown oxide.

**SHADE**

Mica discs with an etched Lucite diffuser.

**DIMENSIONS**

11.5"Ø x 18"H

Base: 6"Ø x 7.5"H

Diffuser: 6"Ø

Shade: 11.5"Ø x 10.5"H

**NET WT**  
25 lbs.

**VOLTAGE / LAMP TYPE**

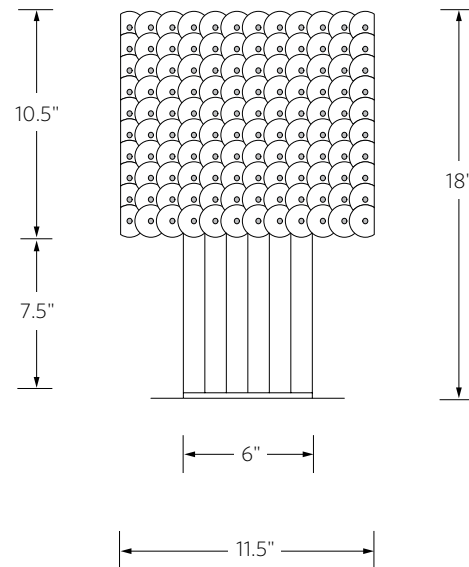
120V, 15W, E26 base, A19 LED lamp, frosted.

2,700°K, 90+ CRI, 1,600 lumens.

Cord dimmer.

CA Title 24-JA8-2019-E

SIDE VIEW





Shown: Deep brown oxide and Opal white glass.



# LITTLE SURFACE MOUNT

**MODEL NUMBER**  
2310

**DESCRIPTION**  
Mold blown glass shade, etched Pyrex diffuser,  
copper or brass ceiling plate & hardware.

**FINISH**  
Mold blown glass shade, etched Pyrex diffuser,  
copper or brass ceiling plate & hardware.

**MOLD BLOWN GLASS**  
Helbeige, Opal white, Quicksilver or Woodsmoke.  
Etched Pyrex diffuser.

**DIMENSIONS**  
6"Ø x 6.5"fixed height.  
Ceiling plate: 4.5"Ø x .25"D  
Shade: 6"Ø x 5"H

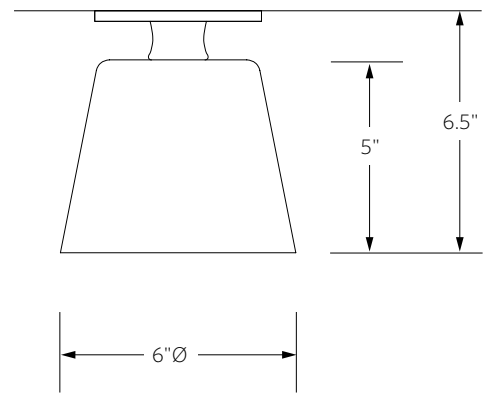
**NET WT**  
3 lbs.

**VOLTAGE / LAMP TYPE**  
120V, 6W, E12 base, LED lamp.  
2,700°K, 90+ CRI, 600 lumens.

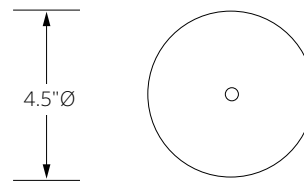
CA Title 24-JA8-2016

**PLEASE SPECIFY**  
Finish & shade color.

SIDE VIEW



ceiling plate





Shown: Deep brown oxide and Opal white glass.

**MODEL NUMBER**  
2320

**DESCRIPTION**  
Mold blown glass shade, copper or brass ceiling plate and hardware.

**FINISH**  
Deep brown oxide, Deep black oxide, Satin nickel, or Natural brass.

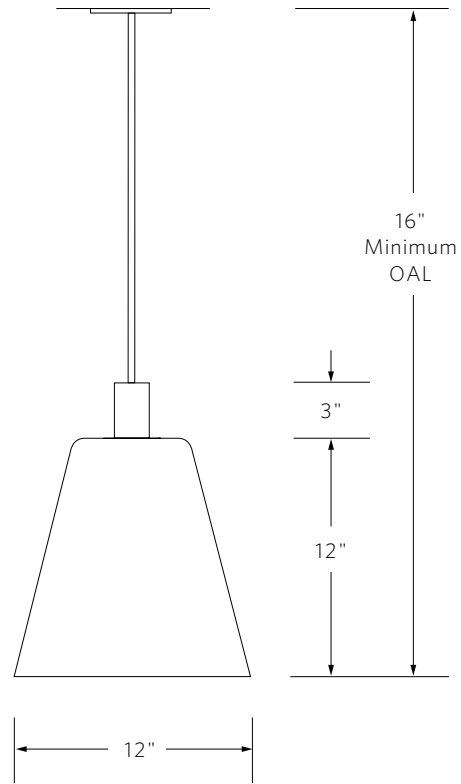
**MOLD BLOWN GLASS**  
Helbeige, Opal white or Quicksilver.  
Inside and outside acid etch.

DIMENSIONS	MIN OAL	NET WT
12"Ø x 15"H	16" Min. OAL	15 lbs.
Ceiling Plate: 4.5"Ø x .25"D		
Shade: 12"Ø x 12"H		

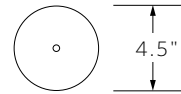
**VOLTAGE / LAMP TYPE**  
120V, 8W, E26 base, G40, LED lamp, frosted.  
3,000°K, 90 CRI, 800 lumens.

CA Title 24-JA8-2016-E

**PLEASE SPECIFY**  
Finish, shade color & OAL (net price includes stem for an OAL of up to 48"). Refer to price book for additional stem length. Stem OAL cannot be adjusted in the field at installation.



Ceiling plate





Shown: Deep brown oxide and Opal white glass.

**MODEL NUMBER**  
2340

**DESCRIPTION**  
Mold blown glass shade, etched Pyrex diffuser,  
copper or brass wall plate, arm & hardware.

**FINISH**  
Deep brown oxide, Deep black oxide, Satin nickel, or  
Natural brass.

**MOLD BLOWN GLASS**  
Helbeige, Opal white, Quicksilver or Woodsmoke.  
Etched Pyrex diffuser.

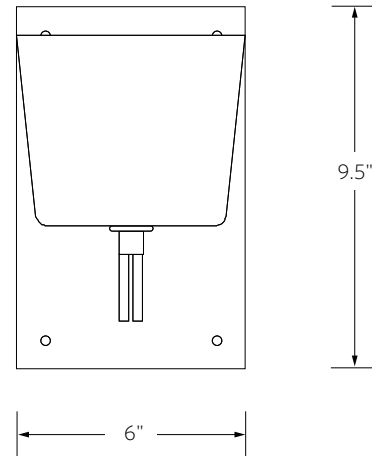
**DIMENSIONS** **NET WT**  
6"W x 9.5"H x 7.5"D 6 lbs.  
Back plate: 6"W x 9.5"H  
Shade: 6"Ø x 5"H

**VOLTAGE / LAMP TYPE**  
120V, 6W, E12 base, LED lamp.  
2,700°K, 90+ CRI, 600 lumens.

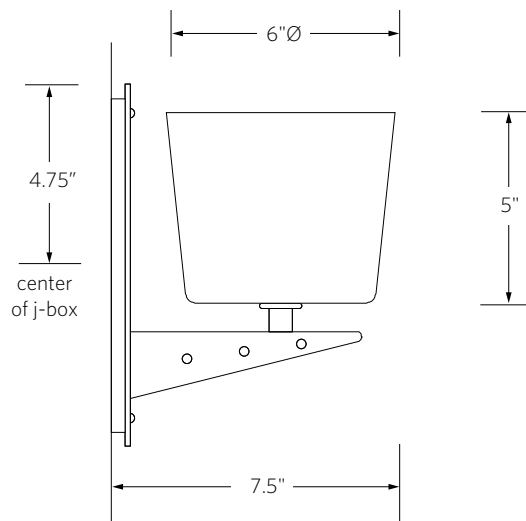
CA Title 24-JA8-2016

**PLEASE SPECIFY**  
Please specify finish & shade color.  
Back plate centers on j-box.

FRONT



SIDE





Shown: Deep brown oxide and Helbeige glass.

**MODEL NUMBER**  
2360

**DESCRIPTION**

Cast iron base, mold blown glass shade, with an etched Pyrex diffuser & copper hardware.

**FINISH**

Deep brown oxide or Deep black oxide.

**MOLD BLOWN GLASS**

Helbeige, Opal white, Quicksilver or Woodsmoke.  
Etched Pyrex diffuser.

**DIMENSIONS**

6"Ø x 9"H  
Base: 3.375"Ø  
Shade: 6"Ø x 5"H

**NET WT**  
5 lbs.

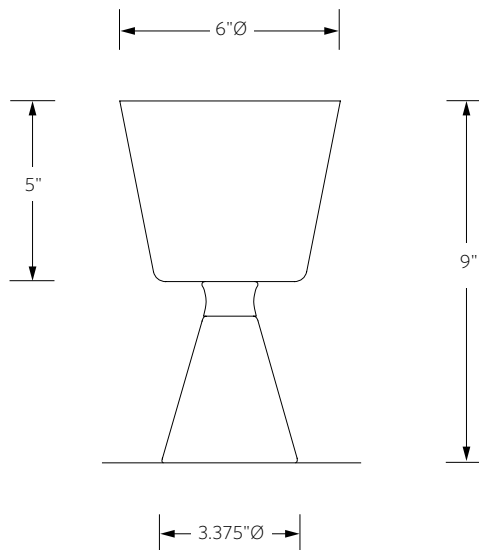
**VOLTAGE / LAMP TYPE**

120V, 6W, E12 base, LED lamp.  
2,700°K, 90+ CRI, 600 lumens.  
Dimmer on base.

CA Title 24-JA8-2016

**PLEASE SPECIFY**

Finish & shade color.







Shown: Deep brown oxide and Helbeige glass.

# LOUVER SUSPENSION

**MODEL NUMBER**

2720

**DESCRIPTION**

Cast aluminum, vented head with a mold blown glass shade. Cable or rigid stem suspension.

**FINISH**

Deep brown oxide.

**MOLD BLOWN GLASS**

Helbeige, Opal white, Quicksilver or Woodsmoke.

**DIMENSIONS**

7.5"Ø x 14.5"H

Ceiling plate: 4.5"Ø x .25"D

**NET WT**

5 lbs.

**VOLTAGE / LAMP TYPE**

120V, 8.5W, E26 base, T12 LED filament lamp.

2,700°K, 90 CRI, 800 lumens.

CA Title 24-JA8-2019-E

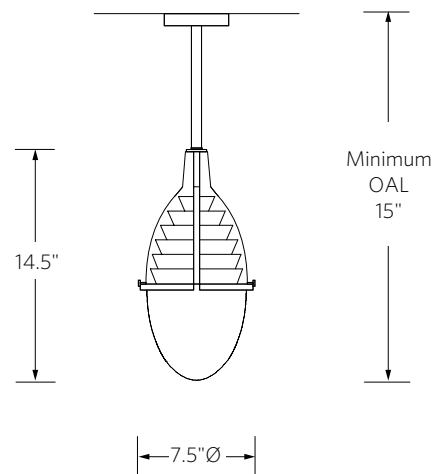
**PLEASE SPECIFY**

Shade color, cable or rigid stem suspension, OAL (minimum: stem 15"; cable 20").

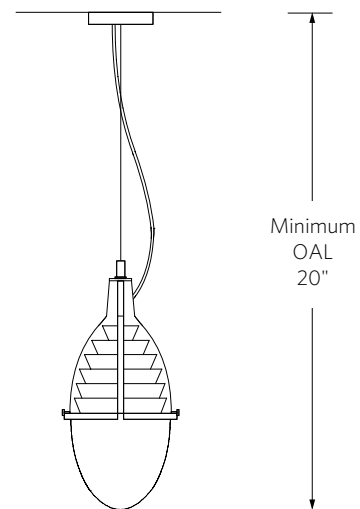
Net price includes cable or stem for an OAL of up to 48".

Cable OAL can be adjusted in the field at installation.

RIGID STEM



CABLE



ceiling plate





Shown: Deep brown oxide and Helbeige glass.

**MODEL NUMBER**

2780

**DESCRIPTION**

Cast aluminum, vented head with a mold blown glass shade, copper base and steel spokes.

**FINISH**

Deep brown oxide.

**BLOWN GLASS**

Helbeige, Opal white, Quicksilver or Woodsmoke.

**DIMENSIONS**

12"Ø x 72"H

**HEAD**

7.5"Ø x 14.5"H

**NET WT**

18 lbs.

**VOLTAGE / LAMP TYPE**

120V, 8.5W, E26 base, T12 LED filament lamp.

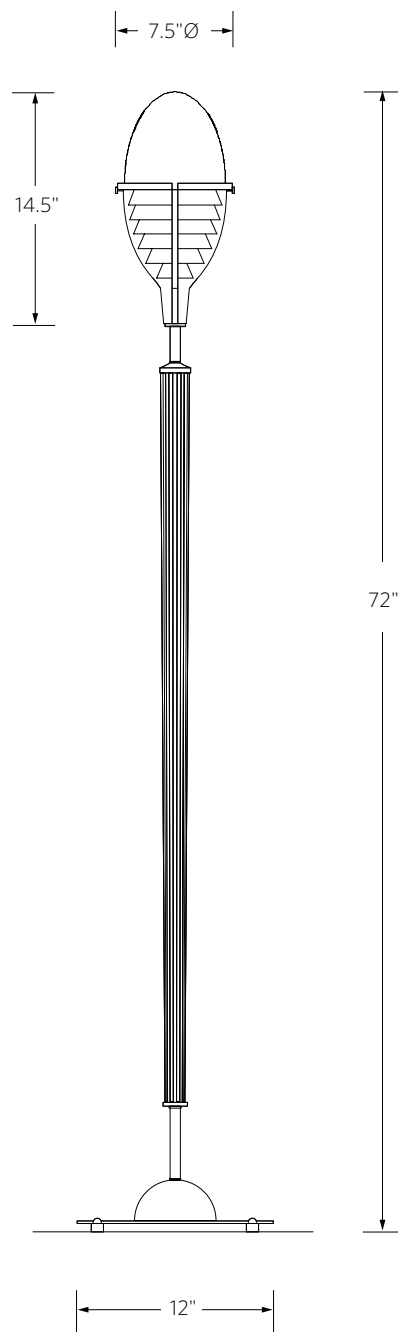
2,700°K, 90 CRI, 800 lumens.

Cord dimmer.

CA Title 24-JA8-2019-E

**PLEASE SPECIFY**

Shade color. Specify rubber feet for hard flooring (RF), or leveling feet (LF) for use on carpet only.





Shown: Natural brass and Opal white glass.

**MODEL NUMBER**  
3610

**DESCRIPTION**  
Mold blown glass shade, etched Pyrex diffuser,  
brass ceiling plate & hardware.

**FINISH**  
Natural Brass, Deep black oxide, Deep brown oxide  
or Satin Nickel.

**MOLD BLOWN GLASS**  
Helbeige, Opal white, Quicksilver or Woodsmoke.  
Etched Pyrex diffuser.

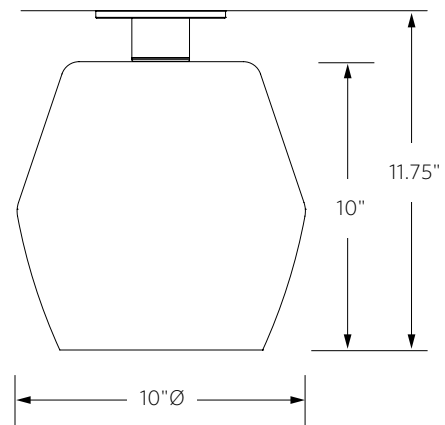
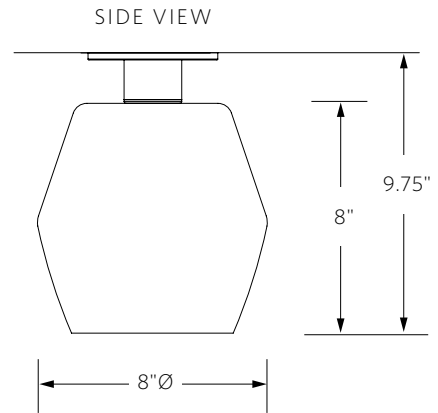
<b>DIMENSIONS</b>	<b>NET WT</b>
3610.8	
8"Ø x 9.75" fixed height	5 lbs.
Ceiling Plate: 4.5"Ø x .25"D	
Shade: 8"Ø x 8"H	

3610.10	
10"Ø x 11.75" fixed height	7 lbs.
Ceiling Plate: 4.5"Ø x .25"D	
Shade: 10"Ø x 10"H	

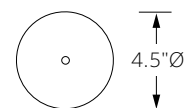
**VOLTAGE / LAMP TYPE**  
120V, 6W, E12 base, LED lamp.  
2,700°K, 90+ CRI, 600 lumens.

CA Title 24-JA8-2016

**PLEASE SPECIFY**  
Size, finish & shade color.



Ceiling plate





Shown: Natural brass and Quicksilver glass.



**MODEL NUMBER**  
3620

**DESCRIPTION**  
Mold blown glass shade, etched Pyrex diffuser,  
brass ceiling plate & hardware.

**FINISH**  
Natural Brass, Deep black oxide, Deep brown oxide  
or Satin Nickel.

**MOLD BLOWN GLASS**  
Helbeige, Opal white, Quicksilver or Woodsmoke.  
Etched Pyrex diffuser.

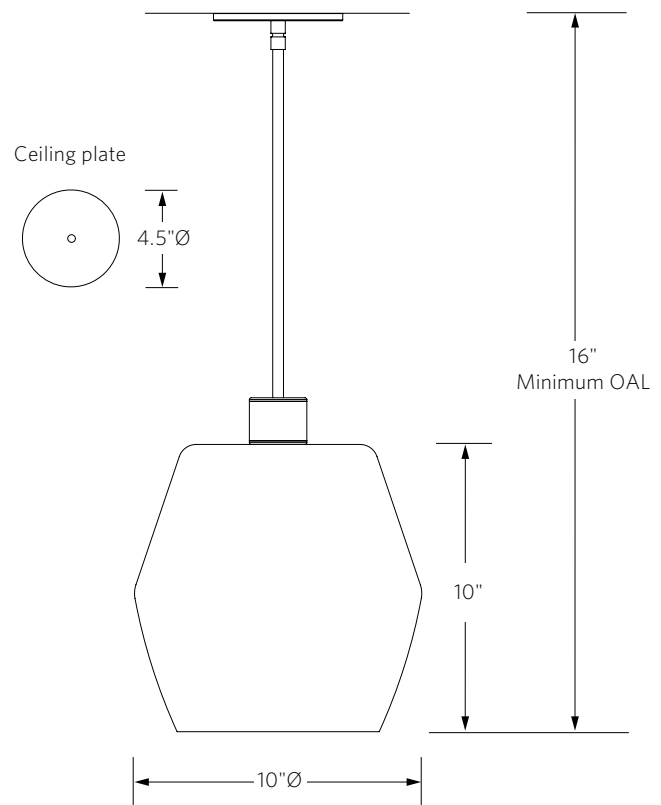
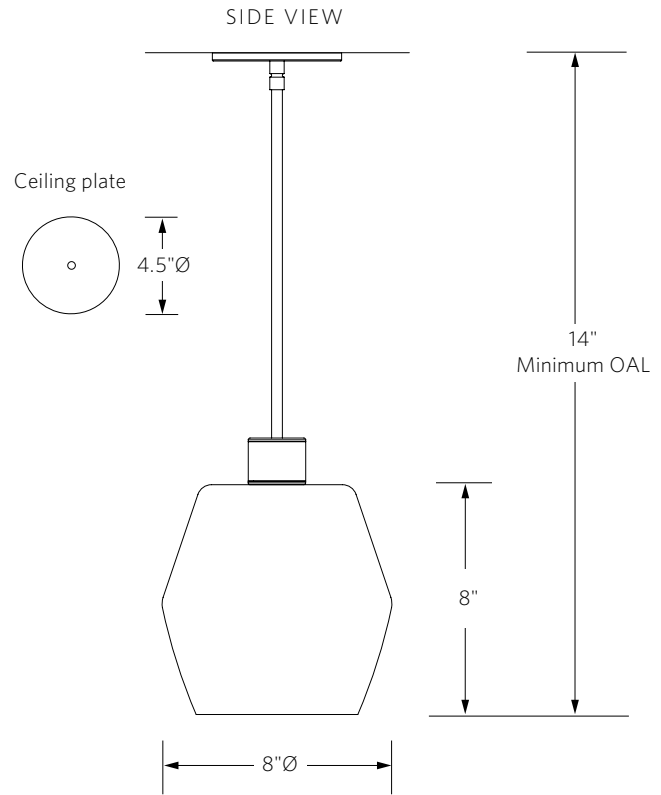
DIMENSIONS	MIN OAL	NET WT
3620.8		
8"Ø x 9.5"H	14" Min. OAL	6 lbs.
Ceiling Plate: 4.5"Ø x .25"D		
Shade: 8"Ø x 8"H		

3620.10		
10"Ø x 11.5"H	16" Min. OAL	8 lbs.
Ceiling Plate: 4.5"Ø x .25"D		
Shade: 10"Ø x 10"H		

**VOLTAGE / LAMP TYPE**  
120V, 6W, E12 base, LED lamp.  
2,700°K, 90+ CRI, 600 lumens.

CA Title 24-JA8-2016

**PLEASE SPECIFY**  
Size, finish, shade color & OAL (net price includes  
stem for an OAL of up to 48"). Refer to pricebook for  
additional stem length. Stem OAL cannot be adjusted  
in the field at installation.





Shown: Natural Brass





Shown: Deep brown oxide and Opal white glass.

# NEBULA SUSPENSION

**MODEL NUMBER**  
2520

**DESCRIPTION**

Fabricated Lucite frame, clad in cut glass, with open bottom. Copper ceiling plate and hardware. Rigid stem or cable suspension.

**FINISH**

Deep brown oxide, Deep black oxide, or Satin Nickel.

**KILN FORMED GLASS**

Clear, Opal white, Pale gold, Sand or Seeded opal.

**DIMENSIONS      MIN OAL      NET WT**

DIMENSIONS	MIN OAL	NET WT
2520.12 12"W x 12"L x 18"H	24" Min. OAL	25 lbs.
2520.36 12"W x 36"L x 18"H	36" Min. OAL	75 lbs.
2520.42 12"W x 42"L x 18"H	36" Min. OAL	90 lbs.
2520.48 12"W x 48"L x 18"H	36" Min. OAL	105 lbs.
2520.54 12"W x 54"L x 18"H	36" Min. OAL	120 lbs.
2520.60 12"W x 60"L x 18"H	36" Min. OAL	135 lbs.
2520.72 12"W x 72"L x 18"H	36" Min. OAL	150 lbs.

**CEILING PLATE**

4.5"Ø x .25"

**VOLTAGE / LAMP TYPE**

120V, E26 base, 2,700°K, 90 CRI, T10, LED filament lamp.

2520.12	34W (4 x 8.5W), 3,200 lumens.
2520.36	42.5W (5 x 8.5W), 4,000 lumens.
2520.42	51W (6 x 8.5W), 4,800 lumens.
2520.48	59.5W (7 x 8.5W), 5,600 lumens.
2520.54	68W (8 x 8.5W), 6,400 lumens.
2520.60	76.5W (9 x 8.5W), 7,200 lumens.
2520.72	85W (10 x 8.5W), 8,000 lumens.

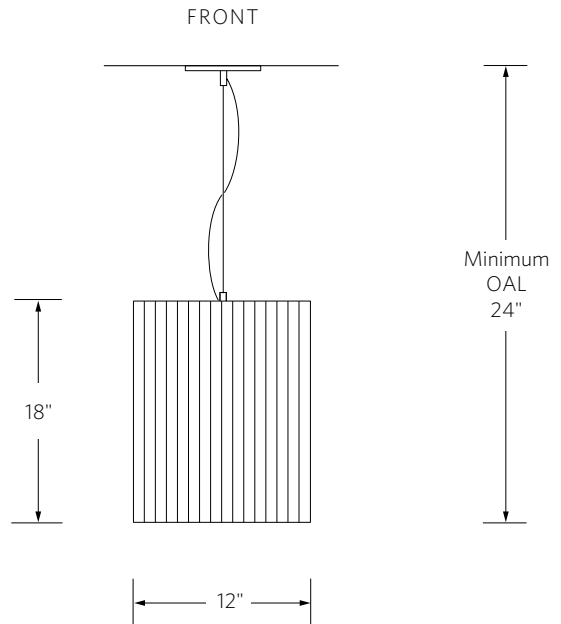
CA Title 24-JA8-2016

**PLEASE SPECIFY**

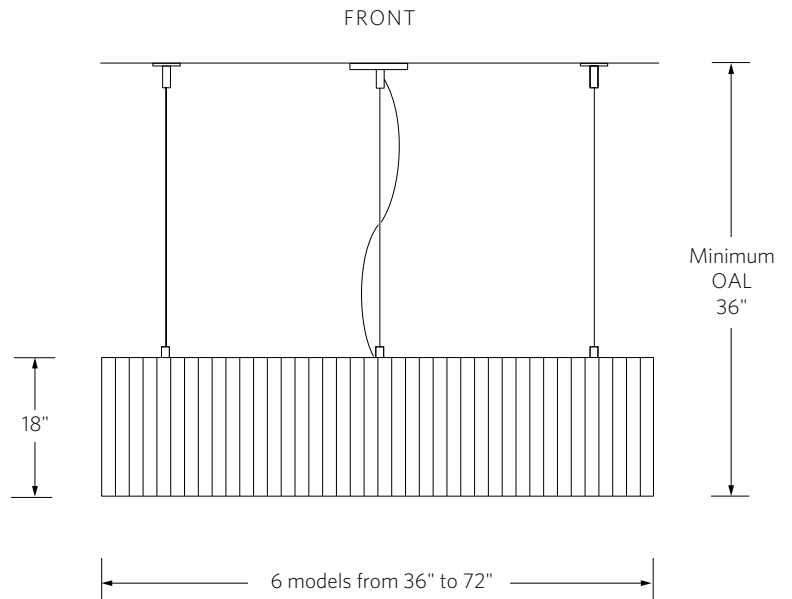
Glass color, cable or rigid stem suspension & OAL (net price includes cable or stem for an OAL of up to 48"). Refer to price book for additional cable or stem length. Cable OAL can be adjusted in the field at installation.

McEwen Lighting Studio  
2748 9th Street  
Berkeley, CA 94710

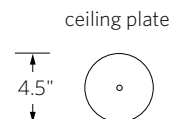
TEL 510.849.4000  
FAX 510.849.4006  
mcewenlighting.com



**Model 2520.12**



**Models 2520.36, 2520.42, 2520.48, 2520.54, 2520.60, 2520.72**





Shown: Deep brown oxide and Opal white glass.







# POOL FLOOR

**MODEL NUMBER**  
3280

**DESCRIPTION**

Cherry wood body with copper ribs, base and hardware. Directional head with prismatic lens.

**FINISH**

Deep brown oxide.

**LENS**

Pyrex, prismatic lens.

DIMENSIONS	HEAD	NET WT
12"Ø x 66"H	7.5"Ø x 8.5"H	17 lbs.

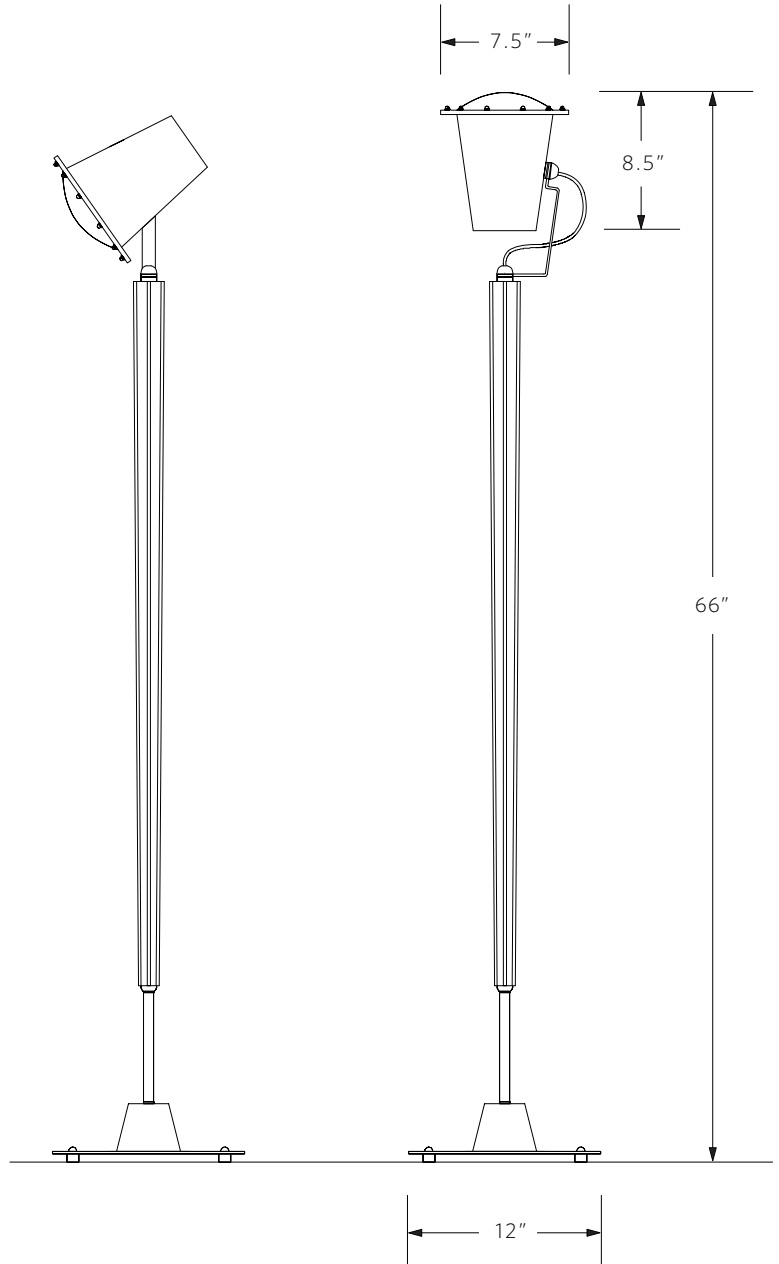
**VOLTAGE / LAMP TYPE**

120V, 11W, E26 base, PAR 30, LED lamp.  
2,700°K, 92 CRI, 975 lumens. Cord dimmer.

CA Title 24-JA8-2016

**PLEASE SPECIFY**

Please specify rubber feet for hard flooring (RF),  
or leveling feet (LF) for use on carpet only.





Shown: Deep brown oxide and Helbeige glass.

**MODEL NUMBER**  
2620

**DESCRIPTION**

Mold blown glass shade with hand forged copper ceiling plate & copper hardware. Ball chain or rigid stem suspension.

**FINISH**

Deep brown oxide, Deep black oxide or Satin nickel.

**MOLD BLOWN GLASS**

Helbeige, Opal white, Quicksilver or Woodsmoke. (Inside acid etch).

DIMENSIONS	MIN OAL	NET WT
4.5"Ø x 5.5"H	8" Min. OAL	3 lbs.

**CEILING PLATE**

4.5"Ø x 5"L x .375"D, hexagonal.

**VOLTAGE / LAMP TYPE**

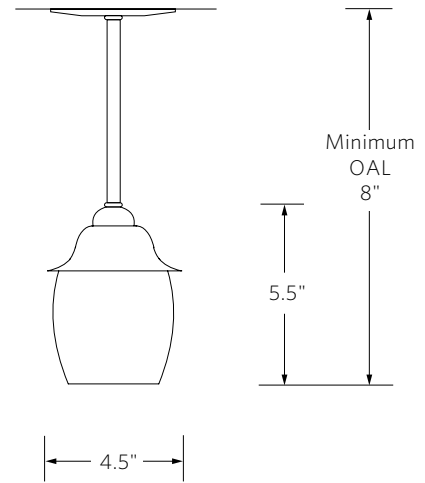
120V, 5.5W, E12 base, B10 LED filament lamp. 2,700°K, 90+ CRI, 500 lumens.

CA Title 24-JA8-2016

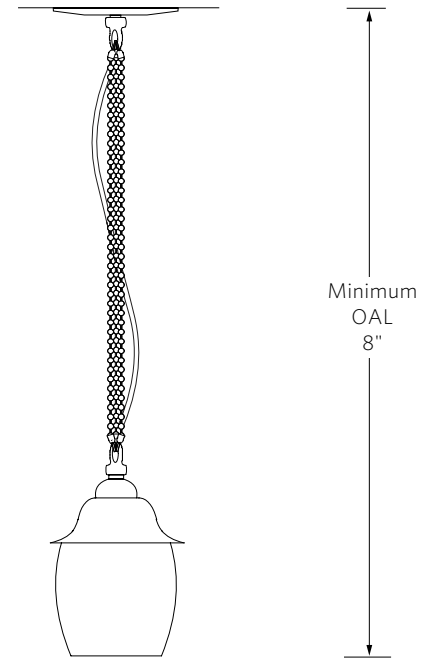
**PLEASE SPECIFY**

Finish, shade color, type of suspension and OAL. Net price includes ball chain or stem for an OAL of up to 48". Refer to price book for additional chain or stem length. Ball chain OAL can be shortened in the field at installation.

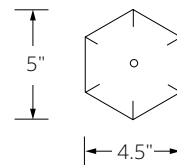
RIGID STEM



BALL CHAIN



ceiling plate





Shown: Deep brown oxide and Helbeige glass.

**MODEL NUMBER**  
2640

**DESCRIPTION**  
Mold blown glass shade with hand forged copper wall plate & copper hardware.

**FINISH**  
Deep brown oxide or Deep black oxide or Satin nickel.

**MOLD BLOWN GLASS**  
Helbeige, Opal white, Quicksilver or Woodsmoke.  
(Inside acid etch).

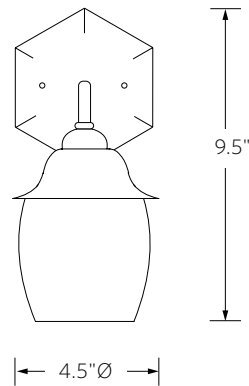
<b>DIMENSIONS</b>	<b>NET WT</b>
4.5"W x 9.5"H x 6"D	3 lbs.
Back plate: 4.5"W x 5"H x .375"D, hexagonal.	
Shade: 4.5"Ø x 5.5"H	
Back plate centers on j-box.	

**VOLTAGE / LAMP TYPE**  
120V, 5.5W, E12 base, B10 LED filament lamp.  
2,700°K, 90+ CRI, 500 lumens.

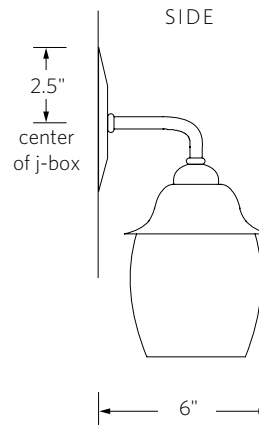
CA Title 24-JA8-2016

**PLEASE SPECIFY**  
Finish, shade color.

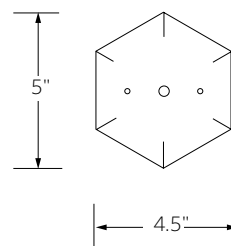
FRONT



SIDE



wall plate





Shown: 42"Ø model in Silver anodized and clear glass.

**MODEL NUMBER**

4420

**DESCRIPTION**

Anodized aluminum frame with cut glass facets.  
Internal silver reflectors of polished aluminum.  
Cable suspension.

**FINISH**

Deep bronze anodized or Silver anodized.

**KILN FORMED GLASS**

Clear, Opal white, Pale gold or Sand.

**DIMENSIONS**

Available in 8 sizes. Note number of polygon segments. Ceiling Plate is 4.5"Ø x .25"D

**PLEASE SPECIFY**

Size, finish, glass color and OAL. Please select suspension type:  
Option 1 (straight cables; off center j-box), or  
Option 2 (angled cables; center j-box).

Minimum OAL varies with suspension option (see table below). OAL can be adjusted in the field at installation.

**VOLTAGE / LAMP TYPE**

Integrated LED, 24V, 97 CRI Ra / 94 CRI R9 / 94 TM30 Rf / 102 TM30 Rg. 30,000 hr.

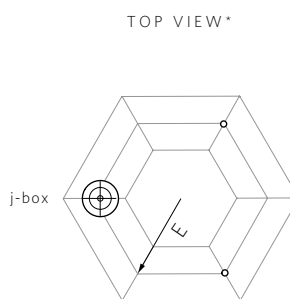
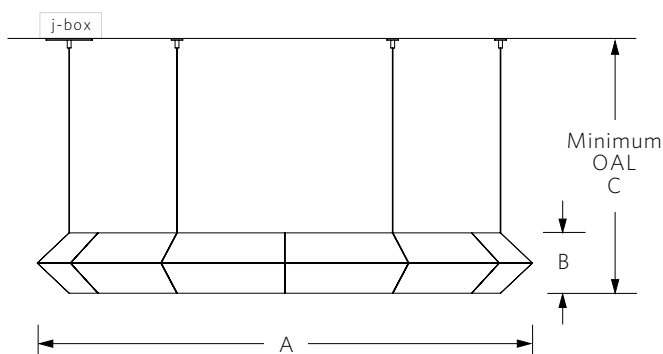
Clear and Sand: 2,400°K  
Opal white and Pale gold: 2,700°K

120V to 24V dimmable driver included.  
Must be located in remote cubby / crawl space.  
Recommend magnetic low voltage dimmer (Lutron SLV-600P or similar).

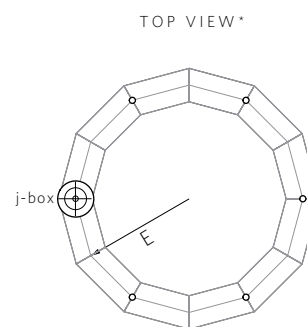
See specific LED specs for each model in table below.

CA Title 24-JA8-2016

**Suspension Option 1 - 3, 4 or 6 individual cables for off-center j-box**

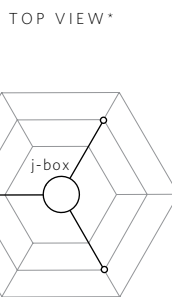
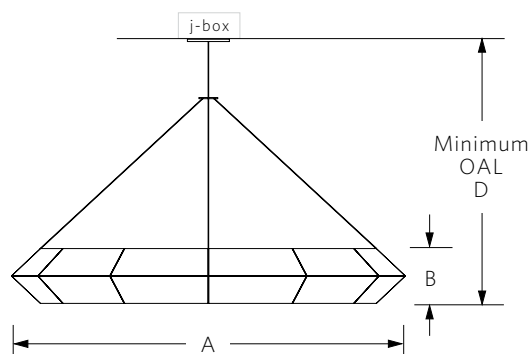


\*Smaller Diameters use 3 cables (24", 30", 36")

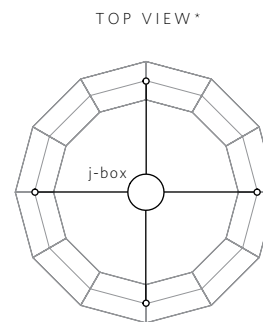
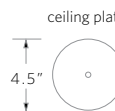


\*Larger Diameters use 4 or 6 cables (42", 48", 54", 60", 72")

**Suspension Option 2 - 3,4 or 6 cables joined to 1, for center j-box**



\*Smaller Diameters use 3 cables (24", 30", 36")



\*Larger Diameters use 4 or 6 cables (42", 48", 54", 60", 72")

Prism Suspension	Polygon segments / Number of cables	A	B	C	D	E	Net Wt	Voltage / Lamping
Model: 4420.24.6	6 sided / 3 cables	24"	6"	10"	16"	8.75"	24 lbs.	24V, 40W, 2,400°K/3,240 lumens, 2,700°K/3,384 lumens
Model: 4420.30.6	6 sided / 3 cables	30"	6"	10"	18"	11.75"	28 lbs.	24V, 70W, 2,400°K/5,670 lumens, 2,700°K/5,922 lumens
Model: 4420.36.6	6 sided / 3 cables	36"	6"	10"	20"	14.75"	34 lbs.	24V, 100W, 2,400°K/8,100 lumens, 2,700°K/8,460 lumens
Model: 4420.42.12	12 sided / 4 cables	42"	6"	10"	24"	17.875"	42 lbs.	24V, 120W, 2,400°K/9,720 lumens, 2,700°K/10,152 lumens
Model: 4420.48.12	12 sided / 6 cables	48"	6"	10"	26"	21"	48 lbs.	24V, 140W, 2,400°K/11,340 lumens, 2,700°K/11,844 lumens
Model: 4420.54.12	12 sided / 6 cables	54"	6"	10"	30"	24"	54 lbs.	24V, 180W, 2,400°K/14,588 lumens, 2,700°K/15,288 lumens
Model: 4420.60.12	12 sided / 6 cables	60"	6"	10"	32"	27"	60 lbs.	24V, 200W, 2,400°K/16,200 lumens, 2,700°K/16,920 lumens
Model: 4420.72.12	12 sided / 6 cable	72"	6"	10"	38"	33"	70 lbs.	24V, 240W, 2,400°K/21,060 lumens, 2,700°K/21,996 lumens

Note: For suspension option 1, j-box can be located at any point along radius path E (see table and illustration above). 2, 3 or 5 appropriate ceiling anchors must be installed for remaining cables. Anchors must be sufficient to support 25% of fixture weight. For suspension option 2, j-box must be blocked sufficiently to support full fixture weights.

\*2,400°K LED used with Clear and Sand. 2,700°K LED used with Opal white and Pale gold.





Shown: 60" model in Deep bronze anodized and Clear glass.

## MODEL NUMBER

4620

## DESCRIPTION

Anodized aluminum frame with cut glass and polished aluminum reflectors. Cable Suspension.

## FINISH

Deep bronze anodized or Silver anodized.

## KILN FORMED GLASS

Clear, Opal white, Pale gold or Sand.

## DIMENSIONS

4620.36

6"W x 6"H x 36"L

## MIN OAL

10" Min. OAL

## NET WT

15 lbs.

4620.48

6"W x 6"H x 48"L

10" Min. OAL

20 lbs.

4620.60

6"W x 6"H x 60"L

10" Min. OAL

25 lbs.

4620.72

6"W x 6"H x 72"L

10" Min. OAL

30 lbs.

## CEILING PLATE

4.5"Ø x .25"D

## VOLTAGE / LAMP TYPE

Integrated LED, 24V, 97 CRI Ra / 94 CRI R9 / 94 TM30 Rf / 102 TM30 Rg, 30,000 hr.

Clear & Sand: 2,400°K Opal white & Pale gold: 2,700°K

120V to 24V dimmable driver included. Must be located in remote cubby / crawl space. Recommend magnetic low voltage dimmer (Lutron SLV-600P or similar).

4620.36 40W, 2,400°K/3,240 lumens, 2,700°K, 3,384 lumens.

4620.48 54W, 2,400°K/4,293 lumens, 2,700°K, 4,484 lumens.

4620.60 74W, 2,400°K/5,937 lumens, 2,700°K, 6,200 lumens.

4620.72 80W, 2,400°K/6,480 lumens, 2,700°K, 6,768 lumens.

CA Title 24-JA8-2016

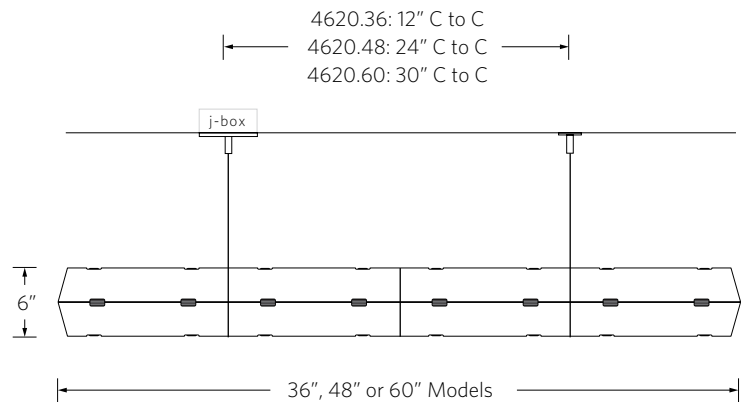
## PLEASE SPECIFY

Size, finish, glass color & OAL (net price includes cable for an OAL of up to 48"). Refer to price book for additional cable length. OAL can be adjusted in the field at installation.

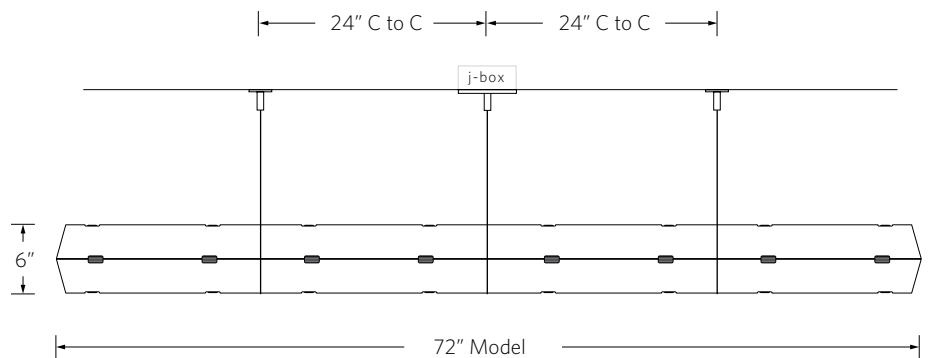
## NOTE

J-box is located off-center on 36", 48" and 60" models.

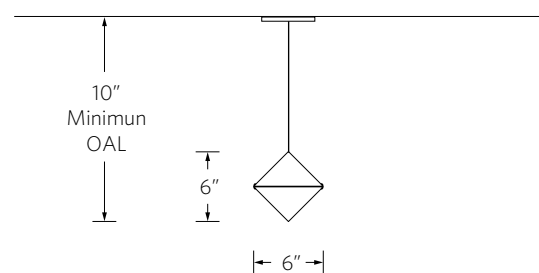
## SIDE VIEW



## SIDE VIEW



## END VIEW





Shown: Deep black oxide and Opal white glass.

**MODEL NUMBER**  
3520

**DESCRIPTION**  
Fabricated steel with Mold blown glass shades and ball chain suspension.

**FINISH**  
Deep black oxide.

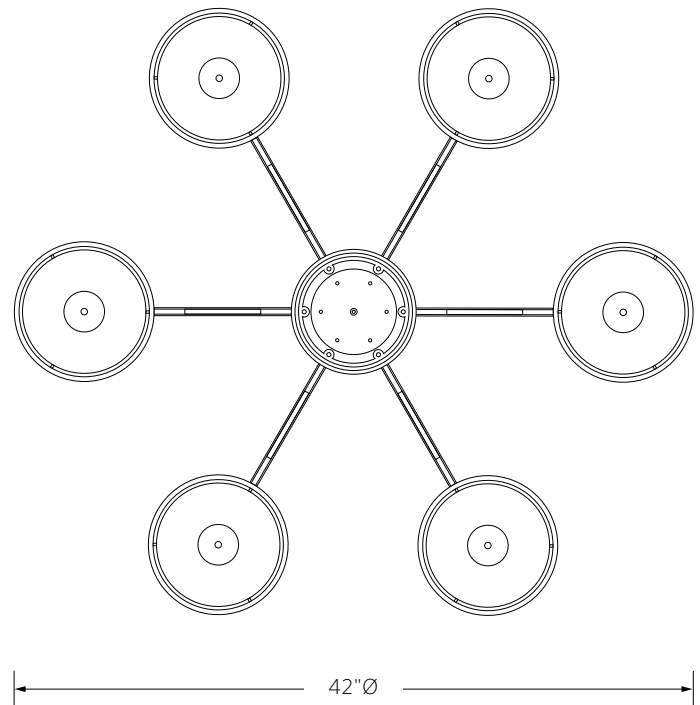
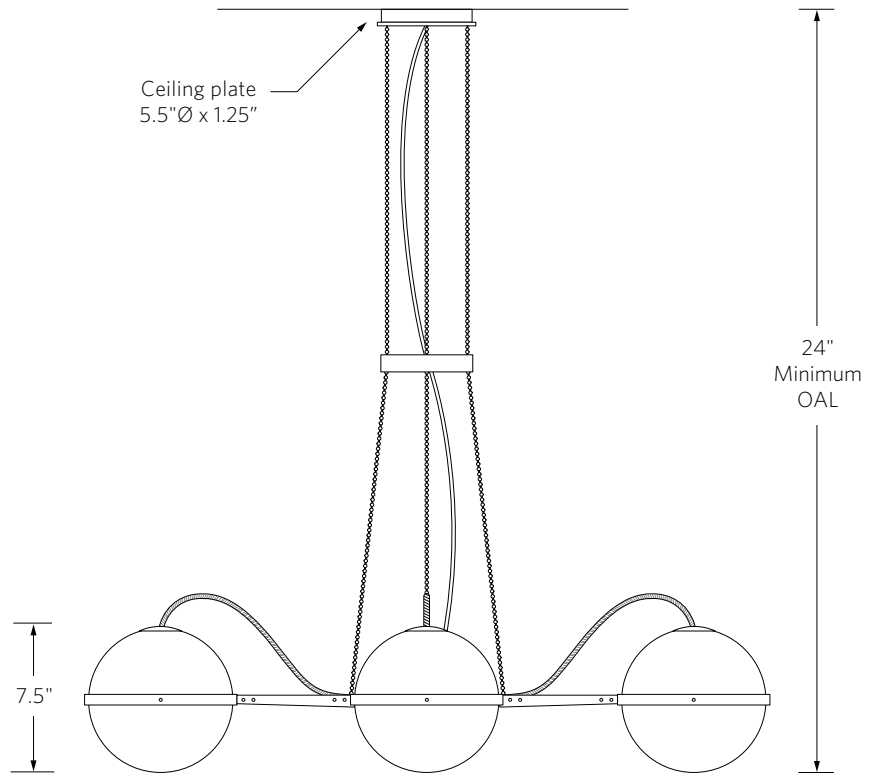
**MOLD BLOWN GLASS**  
Helbeige, Opal white, Quicksilver or Woodsmoke (Inside acid etch).

DIMENSIONS	MIN OAL	NET WT
Fixture: 42"Ø x 7.5"H	24"	35 lbs.
Ceiling plate: 5.5"Ø x 1.125"H		
Shade: 7.5"Ø		

**VOLTAGE / LAMP TYPE**  
120V, 36W (6 x 6W), E12 base, LED lamp.  
2,700°K, 90+ CRI, 3,600 lumens.

CA Title 24-JA8-2016

**PLEASE SPECIFY**  
Shade color and OAL (net price includes ball chain for an OAL of up to 48"). OAL can be adjusted in the field at installation.





Shown: Natural brass and Opal white glass

**MODEL NUMBER**  
3540

**DESCRIPTION**  
Fabricated brass with Mold blown glass shade.

**FINISH**  
Deep black oxide, Satin nickel or Natural brass.

**MOLD BLOWN GLASS**  
Helbeige, Opal white, Quicksilver or Woodsmoke  
(Inside acid etch).

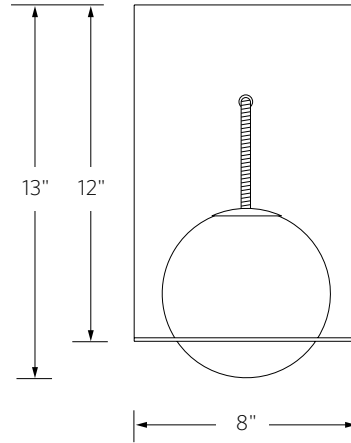
<b>DIMENSIONS</b>	<b>NET WT</b>
Fixture: 8"W x 12"H x 6.75"D	5 lbs.
Shade: 6" Ø	
Fixture centers on j-box.	

**VOLTAGE / LAMP TYPE**  
120V, 6W, G9 base, LED.  
2,700°K, 90+ CRI, 600 lumens.

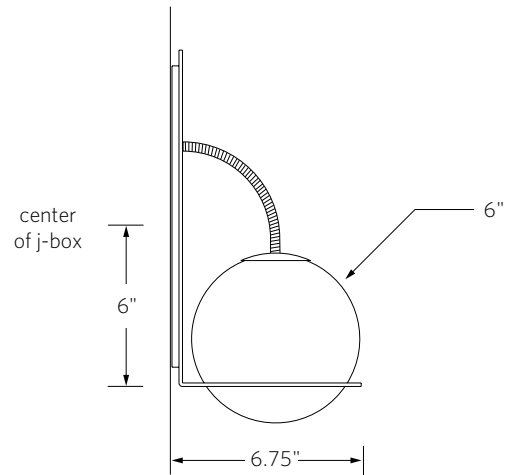
CA Title 24-JA8-2016

**PLEASE SPECIFY**  
Finish, shade color.

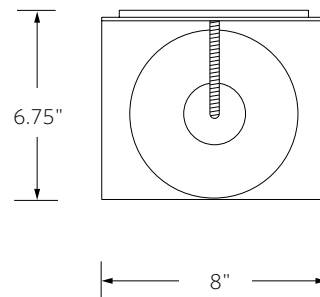
FRONT



SIDE



TOP





Shown: Deep brown oxide and Opal white glass.

**MODEL NUMBER**

1210

**DESCRIPTION**

Kiln formed outer glass shade, mold blown inner glass diffuser, copper hardware and ceiling plate.

**FINISH**

Deep brown oxide, Deep black oxide, or Satin Nickel.

**KILN FORMED/BLOWN GLASS**

Outer glass: Clear\*, Opal white, Pale gold\*, Sand\* or Seeded opal.

Inner diffuser: Opal white or Clear\*.  
(Inside acid etch).

**DIMENSIONS**

20"Ø x 9.25" fixed height.  
Ceiling plate: 5.5"Ø x .25"D  
Diffuser: 6"Ø

**NET WT**

20 lbs.

**VOLTAGE / LAMP TYPE**

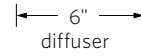
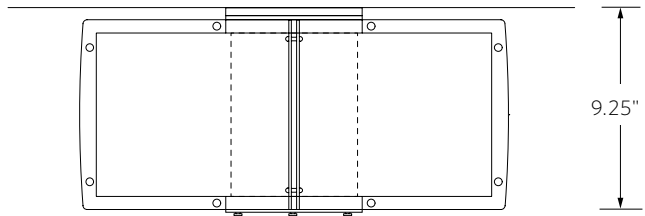
120V, 15W, E26 base, A19 LED lamp, frosted.  
2,700°K, 90+ CRI, 1,600 lumens.

CA Title 24-JA8-2019-E

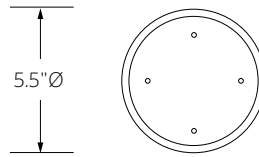
**PLEASE SPECIFY**

Finish, shade color.

SIDE



ceiling plate







Shown: Deep brown oxide and Opal white glass.

# RADIAL SUSPENSION

## MODEL NUMBER

1220

## DESCRIPTION

Kiln formed outer glass shade, mold blown inner glass diffuser, copper hardware and ceiling plate. Ball chain or cable suspension.

## FINISH

Deep brown oxide, Deep black oxide, or Satin Nickel.

## KILN FORMED/BLOWN GLASS

Outer glass: Clear\*, Opal white, Pale gold\*, Sand\* or Seeded opal.

Inner diffuser: Opal white or Clear\*.  
(Inside acid etch).

DIMENSIONS	MIN OAL	NET WT
1220.20		
20"Ø x 9"H	13" Min. OAL	20 lbs.
Ceiling plate: 5.5"Ø x .25"D		
Diffuser: 6"Ø		

1220.26		
26"Ø x 12"H	16" Min. OAL	28 lbs.
Ceiling plate: 5.5"Ø x .25"D		
Diffuser: 6"Ø		

1220.32		
32"Ø x 14.5"H	20" Min. OAL	35 lbs.
Ceiling plate: 8"Ø x .25"D		
Diffuser: 10"Ø		

## VOLTAGE / LAMP TYPE

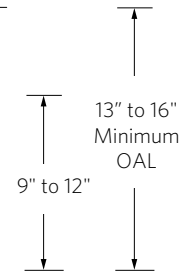
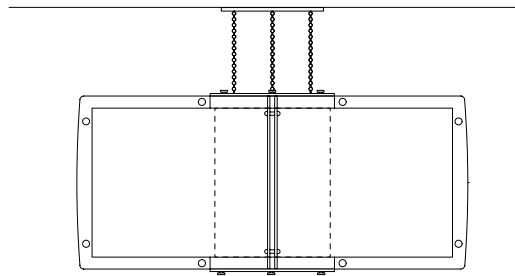
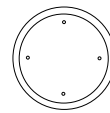
120V, 15W, E26 base, A19 LED lamp, frosted.  
2,700°K, 90+ CRI, 1,600 lumens.

CA Title 24-JA8-2019-E

## PLEASE SPECIFY

Finish, shade color and OAL (net price includes ball chain or cable for an OAL of up to 48"). Refer to price book for additional ball chain or cable length. OAL can be adjusted in the field at installation.

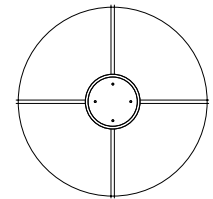
5.5"Ø ceiling plate



6" diffuser

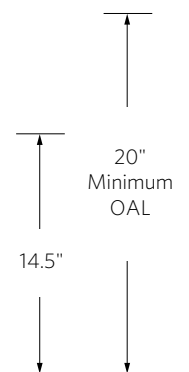
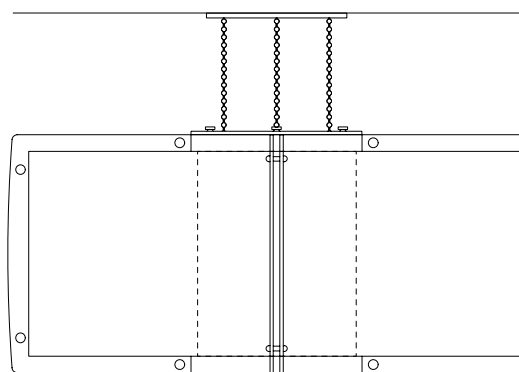
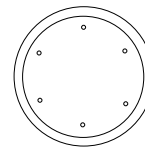
20" to 26"

Models 1220.20 and 1220.26



4 glass support arms

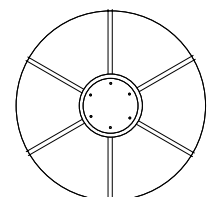
8"Ø ceiling plate



10" diffuser

32"

Model 1220.32



6 glass support arms



Shown: Helbeige glass.

**MODEL NUMBER**

1580

**DESCRIPTION**

Mold blown glass shade, California black walnut, copper shade holder, base and hardware.

**FINISH**

Deep brown oxide or Deep black oxide.

**MOLD BLOWN GLASS**

Helbeige, Opal white, Quicksilver or Woodsmoke. (Inside acid etch).

**DIMENSIONS**

12"Ø x 68"H

**SHADE**

3.375"Ø x 8"H

**NET WT**

12 lbs.

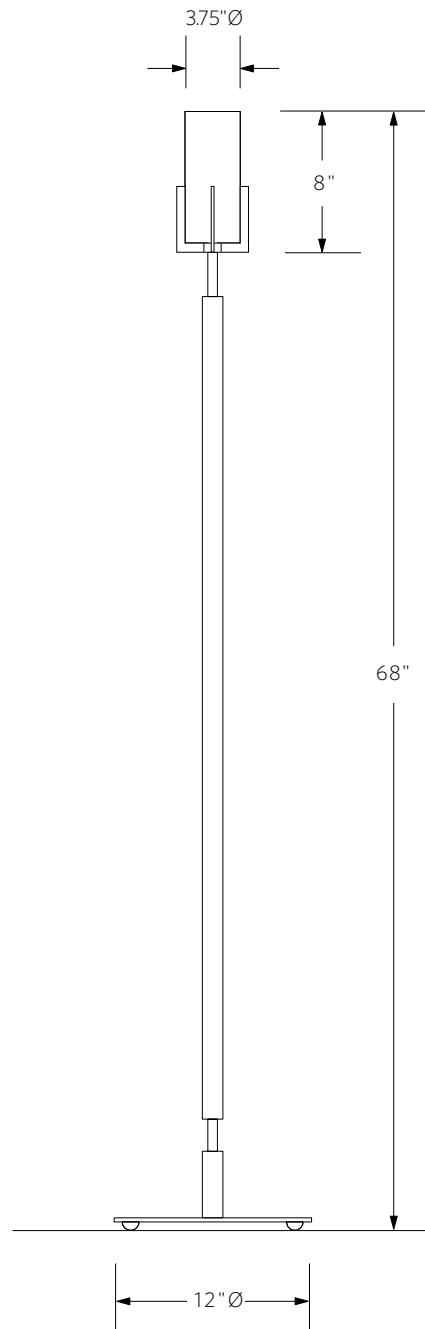
**VOLTAGE / LAMP TYPE**

120V, 8.5W, GU24 base, T12 LED lamp, frosted.  
2,700°K, 90 CRI, 800 lumens.  
Cord dimmer.

CA Title 24-JA8-2016

**PLEASE SPECIFY**

Please specify finish, shade color, rubber feet for hard flooring (RF), or leveling feet (LF) for use on carpet only.





Shown: Deep brown oxide and Helbeige glass.

**MODEL NUMBER**

1320

**DESCRIPTION**

Steel caged, blown glass shade, with hand forged copper ceiling plate and ball chain suspension.

**FINISH**

Deep brown oxide or Deep black oxide.  
*Not available in Satin nickel.*

**BLOWN GLASS**

Helbeige, Opal white, Quicksilver or Woodsmoke.

**DIMENSIONS**

	MIN OAL	NET WT
1320.9		
9"Ø x 9.5"H	18" Min. OAL	6 lbs.
1320.10		
10"Ø x 11"H	24" Min OAL	8lbs.

**CEILING PLATE**

4.5"W x 5"L x .375"D, hexagonal.

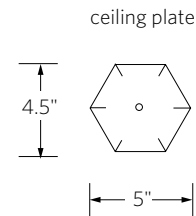
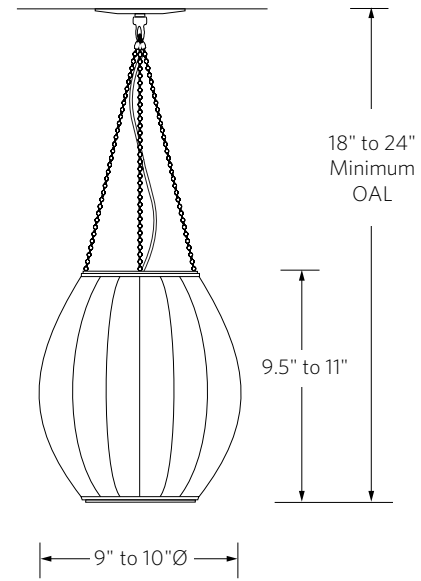
**VOLTAGE / LAMP TYPE**

120V, 8.5W, E26 base, T12 LED filament lamp.  
 2,700°K, 90 CRI, 800 lumens.

CA Title 24-JA8-2019-E

**PLEASE SPECIFY**

Size, finish, shade color and OAL (net price includes ball chain for an OAL of up to 48").





Shown: 16"Ø model in Deep black oxide and Opal white glass

**MODEL NUMBER**

1610

**DESCRIPTION**

Fabricated Lucite frame clad in cut glass.  
Copper ceiling plate & hardware.

**FINISH**

Deep black oxide or Satin nickel.

**KILN FORMED GLASS**

Clear, Opal white, Pale gold, Sand or Seeded opal.

**DIMENSIONS**

1610.16

16"Ø x 6.5"H x 8" fixed height  
Ceiling Plate: 4.5"Ø x .25"D

1610.18

18"Ø x 6.5"H x 8" fixed height  
Ceiling Plate: 4.5"Ø x .25"D

1610.20

20"Ø x 7.5"H x 9" fixed height  
Ceiling Plate: 4.5"Ø x .25"D

1610.24

24"Ø x 7.5"H x 9" fixed height  
Ceiling Plate: 4.5"Ø x .25"D

**NET WT**

14 lbs.

16 lbs.

20 lbs.

25 lbs.

**VOLTAGE / LAMP TYPE**

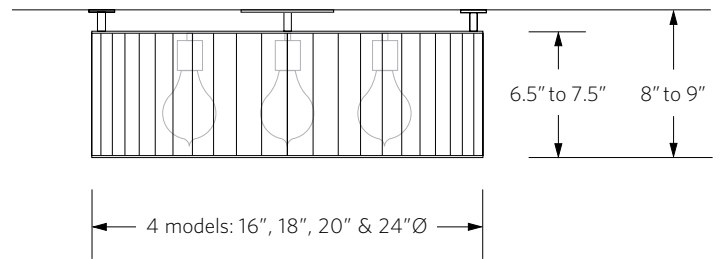
120V, 28W (4 x 7W), E26 base, ST19,  
vintage Edison LED lamp, clear.  
2,700°K, 92 CRI, 2,400 lumens.

CA Title 24-JA8-2016-E

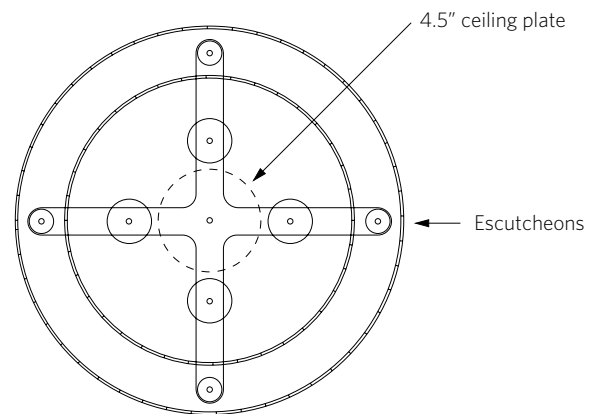
**PLEASE SPECIFY**

Finish and glass color.

SIDE VIEW



TOP VIEW



Note: Fixture body mounts with 4.5" ceiling plate and 4 escutcheons.

Template provided for mounting screw layout.





Shown: 24"Ø model in Deep black oxide and Opal white glass.

**MODEL NUMBER**

1620

**DESCRIPTION**

Fabricated Lucite frame clad in cut glass. Copper ceiling plate and hardware. Cable suspension.

**FINISH**

Deep black oxide or Satin nickel.

**KILN FORMED GLASS**

Clear, Opal white, Pale gold, Sand or Seeded opal.

**DIMENSIONS      MIN OAL      NET WT**

1620.16  
16"Ø x 16"H      32" Min. OAL      35 lbs.  
Ceiling Plate: 4.5"Ø x .25"D

1620.18  
18"Ø x 18"H      36" Min. OAL      45 lbs.  
Ceiling Plate: 4.5"Ø x .25"D

1620.20  
20"Ø x 20"H      40" Min. OAL      55 lbs.  
Ceiling Plate: 4.5"Ø x .25"D

1620.24  
24"Ø x 24"H      48" Min. OAL      75 lbs.  
Ceiling Plate: 4.5"Ø x .25"D

**VOLTAGE / LAMP TYPE**

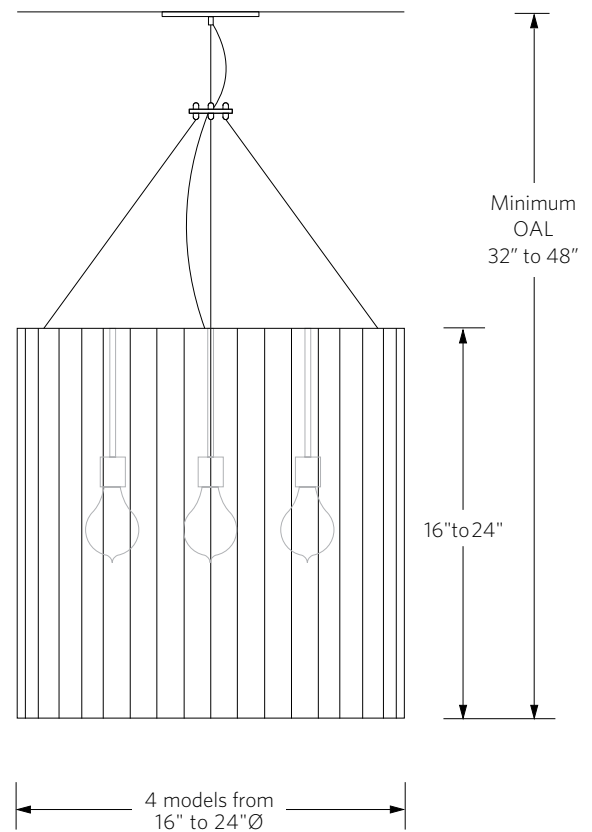
120V, 28W (4 x 7W), E26 base, ST19, vintage Edison LED lamp, clear. 2,700°K, 92 CRI, 2,400 lumens.

CA Title 24-JA8-2016-E

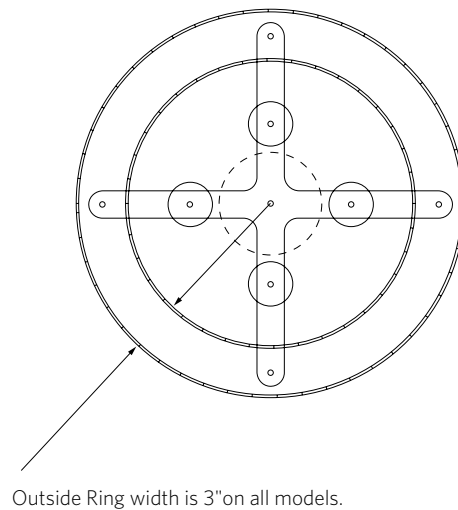
**PLEASE SPECIFY**

Size, finish, glass color & OAL (net price includes cable for an OAL of up to 48"). Refer to price book for additional cable length. OAL can be adjusted in the field at installation.

SIDE VIEW



TOP VIEW





Shown: Opal white glass

# SPADE SURFACE MOUNT

**MODEL NUMBER**

1110

**DESCRIPTION**

Steel caged, blown glass shade, hand forged copper ceiling plate and hardware.

**FINISH**

Deep brown oxide or Deep black oxide.  
*Not available in Satin nickel.*

**BLOWN GLASS**

Helbeige, Opal white, Quicksilver or Woodsmoke.

**DIMENSIONS**

9.5"Ø x 14" fixed height.

**NET WT**

6 lbs.

Ceiling plate: 4.5"W x 5"L x .375"D, hexagonal.

Shade: 9.5"Ø x 10"H

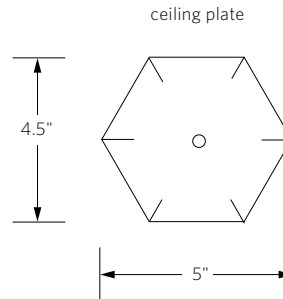
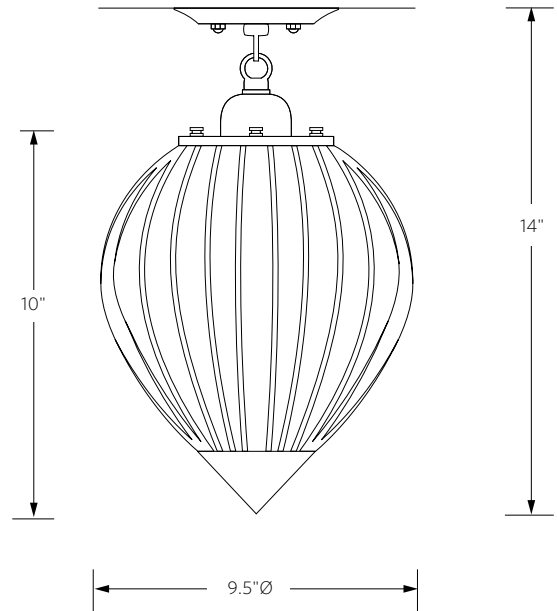
**VOLTAGE / LAMP TYPE**

120V, 8.5W, E26 base, T12 LED filament lamp.  
2,700°K, 90 CRI, 800 lumens.

CA Title 24-JA8-2016

**PLEASE SPECIFY**

Finish and shade color.





Shown: Opal white glass

**MODEL NUMBER**

1180

**DESCRIPTION**

Steel caged, blown glass shade with black, Japanese lacquered wood body and copper hardware.

**FINISH**

Deep brown oxide or Deep black oxide.  
*Not available in Satin nickel.*

**BLOWN GLASS**

Helbeige, Opal white, Quicksilver or Woodsmoke.

**DIMENSIONS**

72"H

**SHADE**

9.5"Ø x 10"H

**NET WT**

20 lbs.

Base: 12"Ø

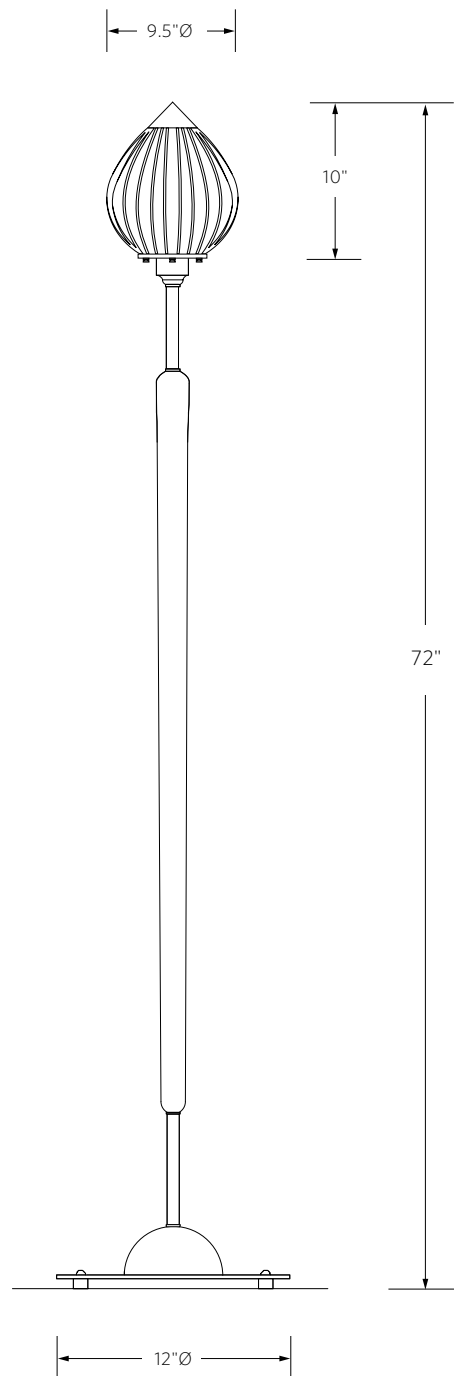
**VOLTAGE / LAMP TYPE**

120V, 8.5W, E26 base, T12 LED filament lamp.  
 2,700°K, 90 CRI, 800 lumens. Cord dimmer.

CA Title 24-JA8-2016

**PLEASE SPECIFY**

Finish, shade color, rubber feet for hard flooring (RF),  
 or leveling feet (LF) for use on carpet only.





Shown: 10"Ø model with rigid stem and 5"Ø model with ball chain, both in Opal white glass.

# SPOKE SUSPENSION

**MODEL NUMBER**  
2820

**DESCRIPTION**

Steel body, mold blown glass shade, ball chain or rigid stem suspension.

**FINISH**

Deep brown oxide or Deep black oxide.  
*Not available in Satin nickel.*

**MOLD BLOWN GLASS**

Helbeige, Opal white, Quicksilver or Woodsmoke.

DIMENSIONS	MIN OAL	NET WT
2820.5		
5"Ø x 10.5"H	13" Min. OAL	5 lbs.
Ceiling plate: 4.5"Ø x .25"D		

2820.10		
10"Ø x 15.5"H	18" Min. OAL	15 lbs.
Ceiling Plate: 4.5"Ø x .25"D		

**VOLTAGE / LAMP TYPE**

2820.5  
120V, 8.5W, E26 base, T12 LED filament lamp.  
2,700°K, 90 CRI, 800 lumens.

2820.10  
120V, 15W, E26 base, A19 LED lamp, frosted.  
2,700°K, 90+ CRI, 1,600 lumens.

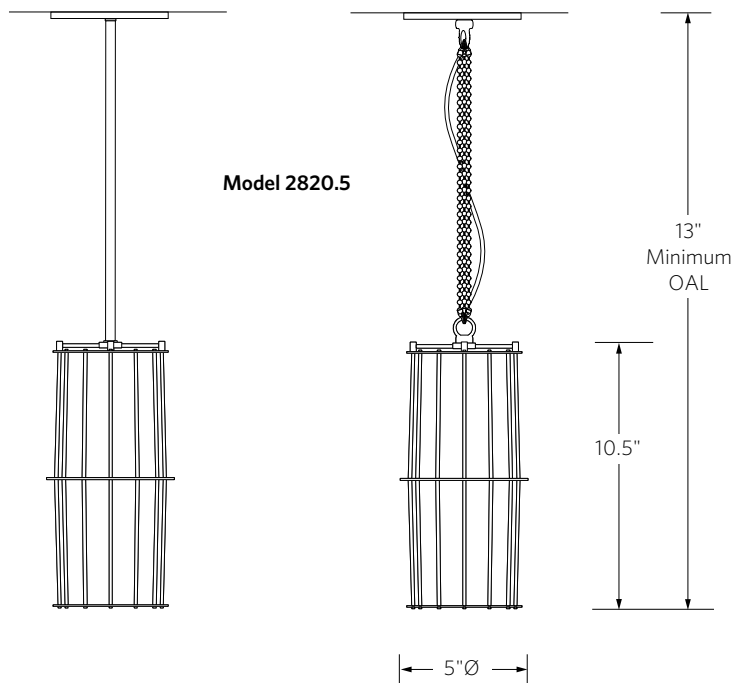
CA Title 24-JA8-2019-E

**PLEASE SPECIFY**

Size, finish & shade color, type of suspension and OAL.  
Net price includes stem or ball chain for an OAL of up to 48". Refer to price book for additional chain or stem length. Ball chain OAL can be shortened in the field at installation.

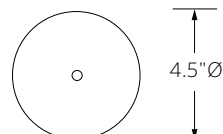
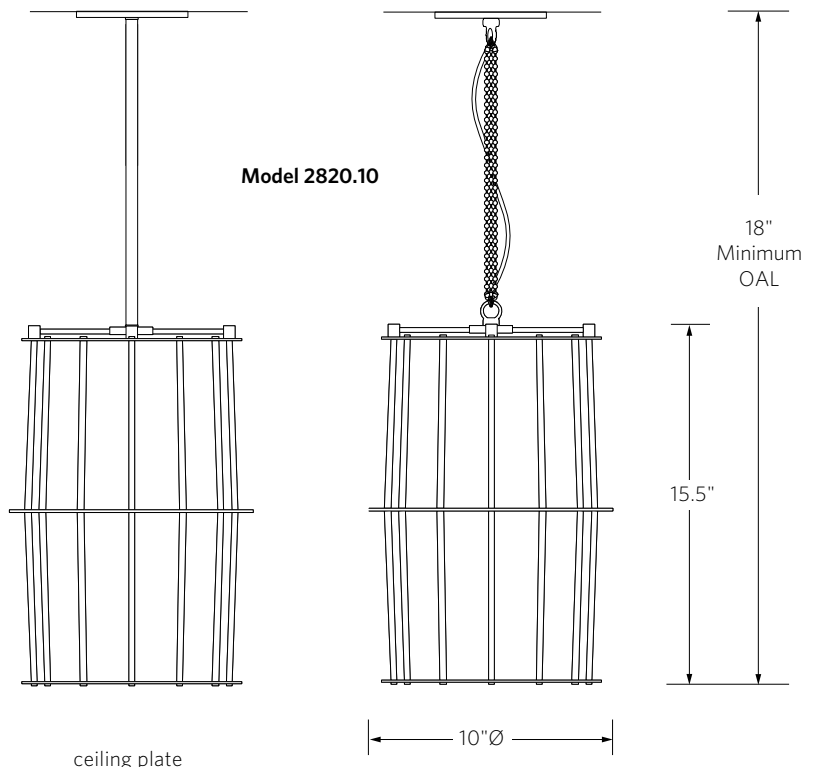
RIGID STEM

BALL CHAIN



RIGID STEM

BALL CHAIN







Shown: 5' model in Deep brown oxide and Opal white glass.

# SPOKE WALL

## MODEL NUMBER

2840

## DESCRIPTION

Steel body, mold blown glass shade, copper wall plate, arm & hardware.

## FINISH

Deep brown oxide or Deep black oxide.  
Not available in Satin nickel.

## MOLD BLOWN GLASS

Helbeige, Opal white, Quicksilver or Woodsmoke.

## DIMENSIONS

2840.5

7.5" x 14"H x 6.25"D      5"Ø x 10.5"H      9 lbs.

Back plate: 7.5"W x 14"H

Center of j-box located 7" below top of back plate.

2840.10

12"W x 24"H x 14.5"D      10"Ø x 15.5"H      29 lbs.

Back plate: 12"W x 24"H

Center of j-box located 6" below top of back plate.

## VOLTAGE / LAMP TYPE

2840.5

120V, 8.5W, E26 base, T12 LED filament lamp.  
2,700°K, 90 CRI, 800 lumens.

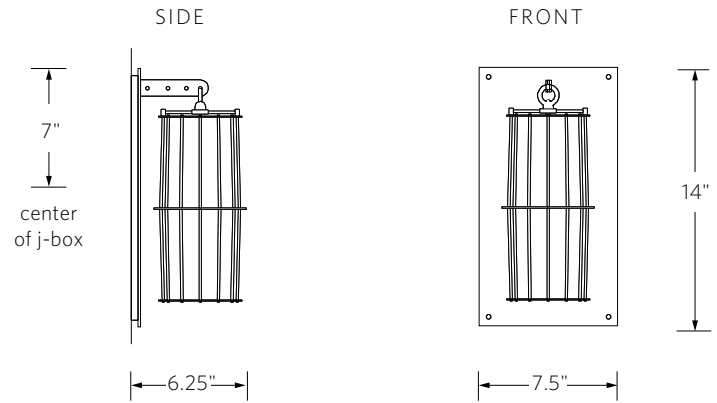
2840.10

120V, 15W, E26 base, A19 LED lamp, frosted.  
2,700°K, 90+ CRI, 1,600 lumens.

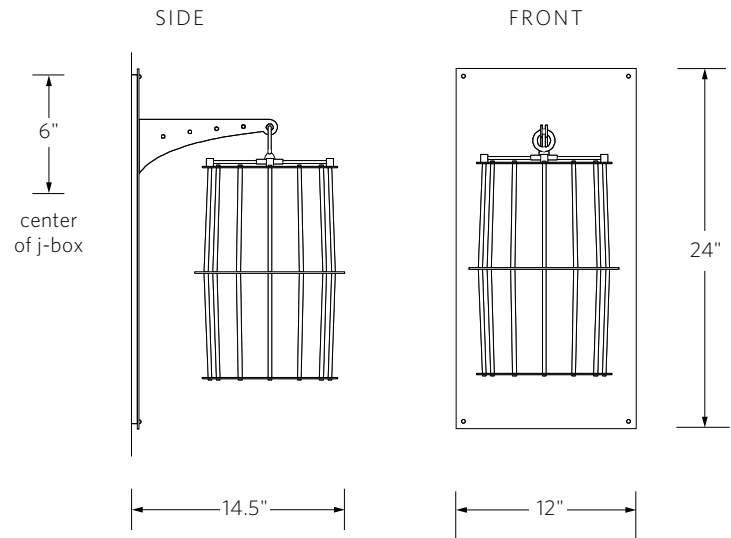
CA Title 24-JA8-2019-E

## PLEASE SPECIFY

Size, finish & shade color.



Model 2840.5



Model 2840.10



Shown: 10"Ø model and 5"Ø model in Opal white glass

# SPOKE TABLE

## MODEL NUMBER

2860

## DESCRIPTION

Steel body, mold blown glass shade, with ball feet.

## FINISH

Deep brown oxide or Deep black oxide.  
*Not available in Satin nickel.*

## MOLD BLOWN GLASS

Helbeige, Opal white, Quicksilver or Woodsmoke.

## DIMENSIONS

2860.5

5"Ø x 12"H

## NET WT

5 lbs.

2860.10

10"Ø x 16.5"H

15 lbs.

## VOLTAGE / LAMP TYPE

2860.5

120V, 8.5W, E26 base, T12 LED filament lamp.  
2,700°K, 90 CRI, 800 lumens.  
Cord Dimmer.

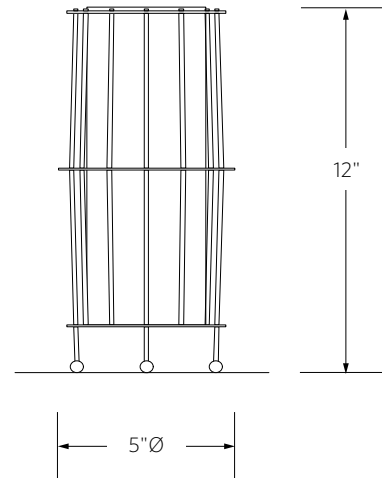
2860.10

120V, 15W, E26 base, A19 LED lamp, frosted.  
2,700°K, 90+ CRI, 1,600 lumens.  
Cord Dimmer.

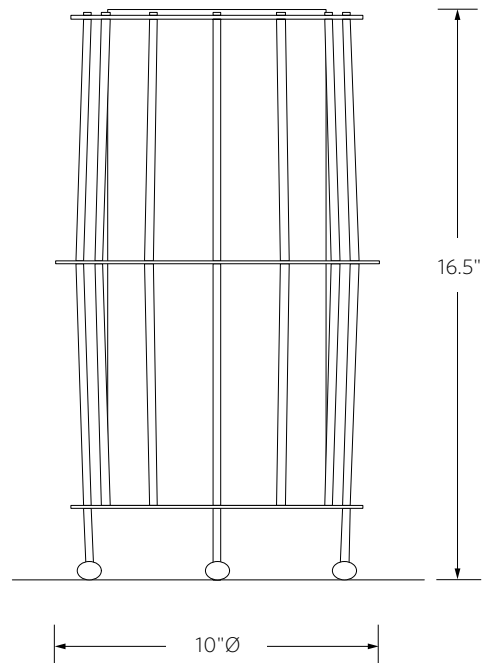
CA Title 24-JA8-2019-E

## PLEASE SPECIFY

Size, finish & shade color.



Model 2860.5



Model 2860.10



Shown: 30"Ø model in Satin nickel and Opal white glass, with silver reflectors.

**MODEL NUMBER**  
1820

**DESCRIPTION**  
Fabricated Lucite frame, clad in cut glass on sides and bottom. Interior reflectors of polished aluminum. Copper ceiling plate and hardware. Cable suspension.

**DIMENSIONS**  
Available in 7 sizes. Note height to diameter ratio.

**FINISH**  
Deep brown oxide, Deep black oxide or Satin nickel. Reflectors: Silver or Gold.

**KILN FORMED GLASS**  
Opal white or Clear.

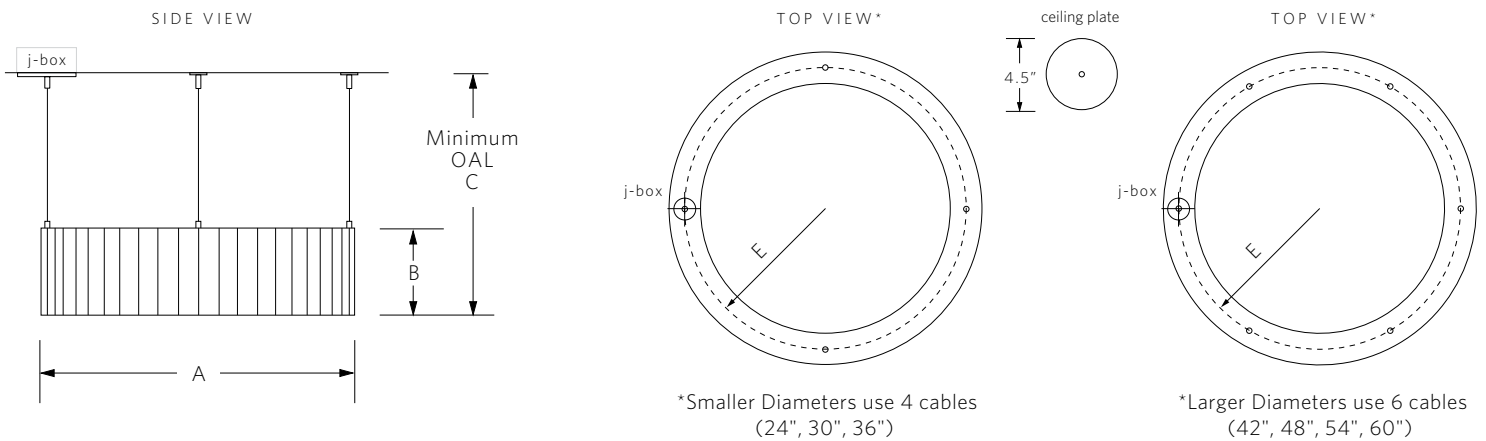
**PLEASE SPECIFY**  
Finish, reflector color, glass color, suspension option & OAL (net price includes cable for an OAL of up to 48"). Refer to price book for additional cable length. OAL can be adjusted in the field at installation.

**VOLTAGE / LAMP TYPE**  
120V, G9 base, 2,700°K, 90+ CRI, LED lamp.

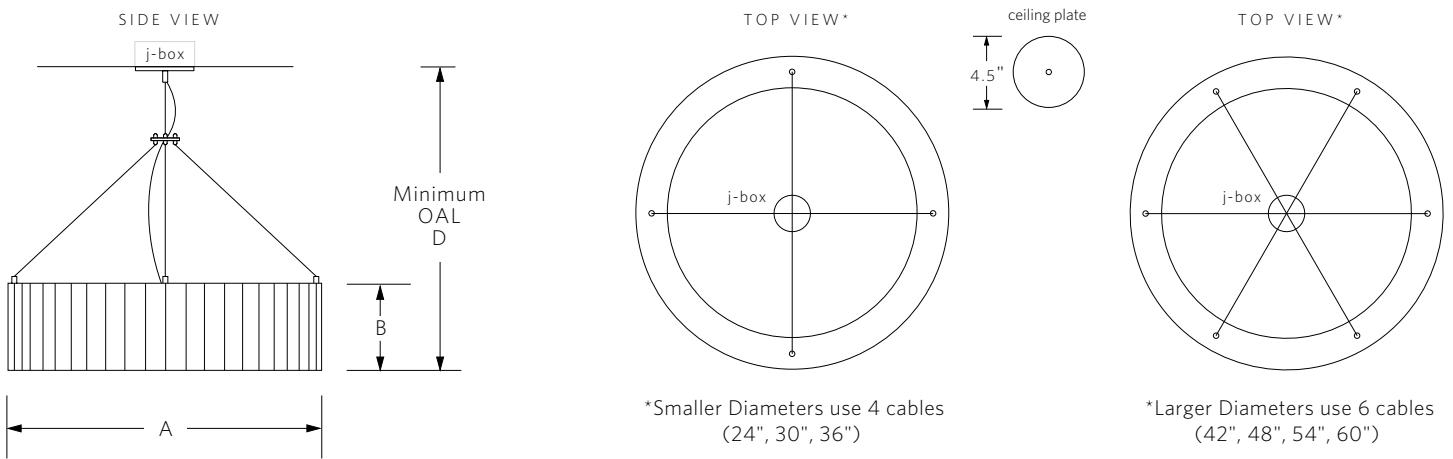
- 1820.24 48W (8 x 6W), 4,800 lumens.
- 1820.30 96W (16 x 6W), 9,600 lumens.
- 1820.36 96W (16 x 6W), 9,600 lumens.
- 1820.42 144W (24 x 6W), 14,400 lumens.
- 1820.48 144W (24 x 6W), 14,400 lumens.
- 1820.54 144W (24 x 6W), 14,400 lumens.
- 1820.60 144W (24 x 6W), 14,400 lumens.

CA Title 24-JA8-2016

**Suspension Option 1** - 4 or 6 individual cables for off-center j-box

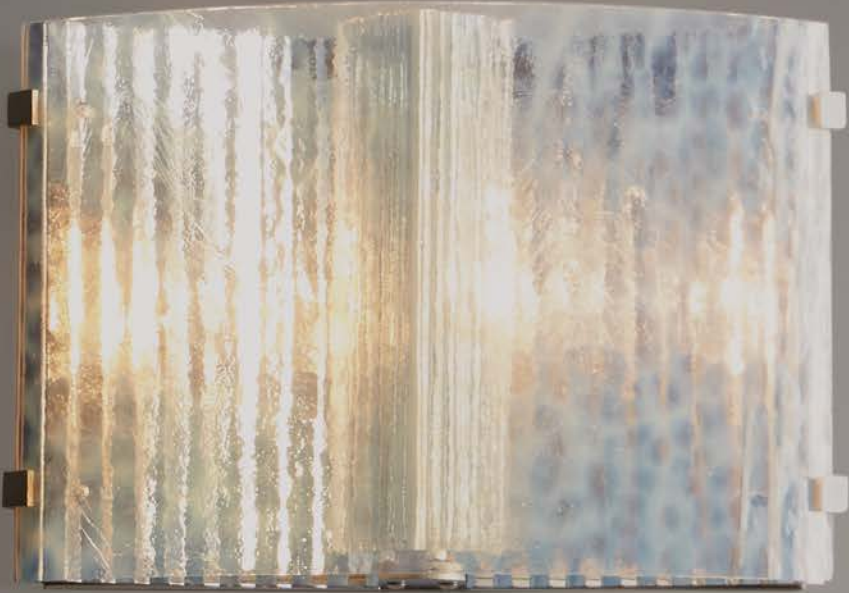


**Suspension Option 2** - 4 or 6 cables joined to 1, for center j-box



Model	A	B	C	D	E	Weight
Vellum 1820.24	24"	6"	12"	24"	10.75"	44 lbs.
Vellum 1820.30	30"	8"	16"	36"	13.75"	55 lbs.
Vellum 1820.36	36"	8"	16"	42"	16.75"	60 lbs.
Vellum 1820.42	42"	10"	18"	48"	19.75"	90 lbs.
Vellum 1820.48	48"	10"	18"	54"	22.75"	105 lbs.
Vellum 1820.54	54"	12"	20"	60"	25.75"	120 lbs.
Vellum 1820.60	60"	12"	20"	66"	28.75"	150 lbs.

Note: For suspension option 1, j-box can be located at any point along radius path E (see table and illustration above). 3 (or 5) appropriate ceiling anchors must be installed for remaining cables. Anchors must be sufficient to support 25% of fixture weight. For suspension option 2, j-box must be blocked sufficiently to support full fixture weights.



Shown: Satin nickel and Opal white glass with silver reflectors.

**MODEL NUMBER**

1840

**DESCRIPTION**

Copper, kiln formed glass with an interior reflector of polished aluminum.

**FINISH**

Deep brown oxide, Deep black oxide or Satin nickel.  
Reflectors: Silver or Gold.

**KILN FORMED GLASS**

Opal white or Clear.

**DIMENSIONS**

12"W x 8"H x 4"D

Back plate: 11"W x 8"H x .375"D

Back plate centers on j-box. ADA compliant.

**NET WT**

5 lbs.

**VOLTAGE / LAMP TYPE**

120V, 6W, E12 base, LED lamp.

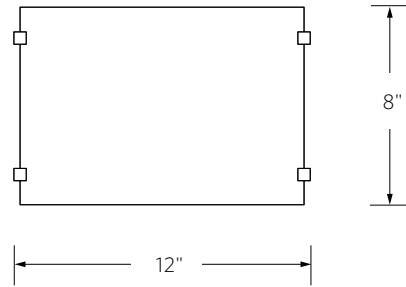
2,700°K, 90+ CRI, 600 lumens.

CA Title 24-JA8-2016

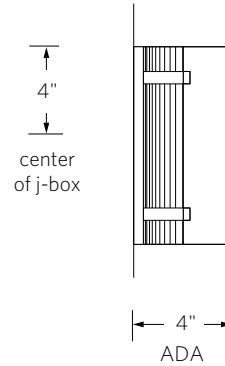
**PLEASE SPECIFY**

Finish, reflector color and glass color.

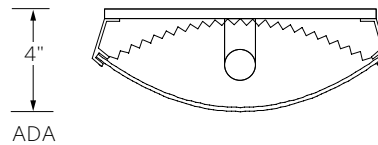
FRONT



SIDE



TOP







Shown: 18"Ø model in Deep brown oxide with Seeded opal glass.

**MODEL NUMBER**  
3410

**DESCRIPTION**  
Fabricated Lucite frame clad in cut glass. Etched Pyrex diffuser. Copper ceiling plate & hardware.

**FINISH**  
Deep brown oxide, Deep black oxide or Satin nickel.

**KILN FORMED GLASS**  
Clear, Opal white, Pale gold, Sand or Seeded opal. Interior etched Pyrex diffuser.

<b>DIMENSIONS</b>	<b>NET WT</b>
3410.12	
12"Ø x 6.75"H x 8" fixed height	6 lbs.

3410.15	
15"Ø x 6.75"H x 8" fixed height	8 lbs.

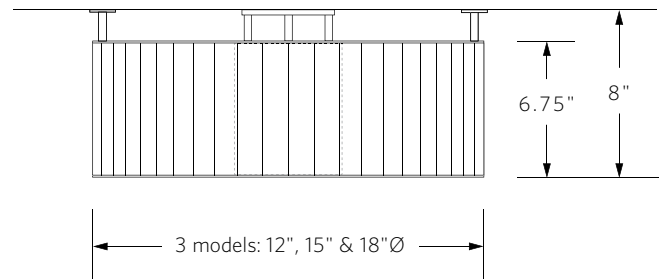
3410.18	
18"Ø x 6.75"H x 8" fixed height	10 lbs.

**VOLTAGE / LAMP TYPE**  
120V, 15W, E26 base, A19 LED lamp, frosted.  
2,700°K, 90+ CRI, 1,600 lumens.

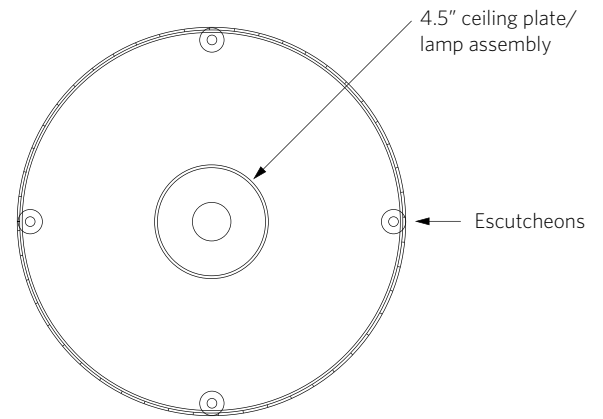
CA Title 24-JA8-2019-E

**PLEASE SPECIFY**  
Size finish & glass color.

SIDE VIEW



TOP VIEW



Note: Fixture body mounts independently from 4.5" ceiling plate/lamp assembly with 4 escutcheons.

Template provided for mounting screw layout.



Shown: 60"Ø model in Deep bronze anodized finish and Opal white glass.

**MODEL NUMBER**  
4220

**DESCRIPTION**

Anodized aluminum frame with cut glass and polished aluminum reflectors. Cable Suspension.

**FINISH**

Deep bronze anodized or Silver anodized.

**KILN FORMED GLASS**

Clear or Opal white.

**DIMENSIONS**

	<b>MIN OAL</b>	<b>NET WT</b>
30"Ø x 2"H	12" Min. OAL	12 lbs.
36"Ø x 2"H	18" Min. OAL	14 lbs.
42"Ø x 2"H	24" Min. OAL	16 lbs.
48"Ø x 2"H	30" Min. OAL	18 lbs.
54"Ø x 2"H	36" Min. OAL	20 lbs.
60"Ø x 2"H	42" Min. OAL	28 lbs.
72"Ø x 2"H	48" Min. OAL	35 lbs.

**CEILING PLATE**

4.5"Ø x .25"D

**VOLTAGE / LAMP TYPE**

Integrated LED, 24V, 2,700°K, 98 CRI Ra / 93 CRI R9  
94 TM30 Rf / 101 TM30 Rg. 30,000 hr.

120V to 24V dimmable driver included.

Must be located in remote cubby / crawl space.

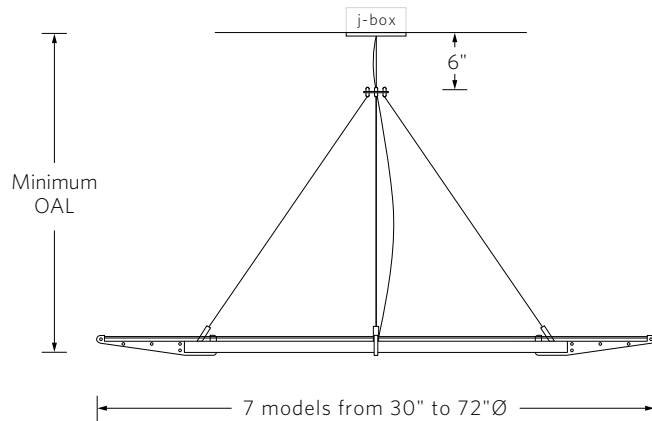
- 4220.30 25W, 2,700°K, 98 CRI, 2,152 lumens.
- 4220.36 37W, 2,700°K, 98 CRI, 3,257 lumens.
- 4220.42 50W, 2,700°K, 98 CRI, 4,363 lumens.
- 4220.48 63W, 2,700°K, 98 CRI, 5,468 lumens.
- 4220.54 75W, 2,700°K, 98 CRI, 6,573 lumens.
- 4220.60 87W, 2,700°K, 98 CRI, 7,620 lumens.
- 4220.72 100W, 2,700°K, 98 CRI, 8,725 lumens.

CA Title 24-JA8-2016

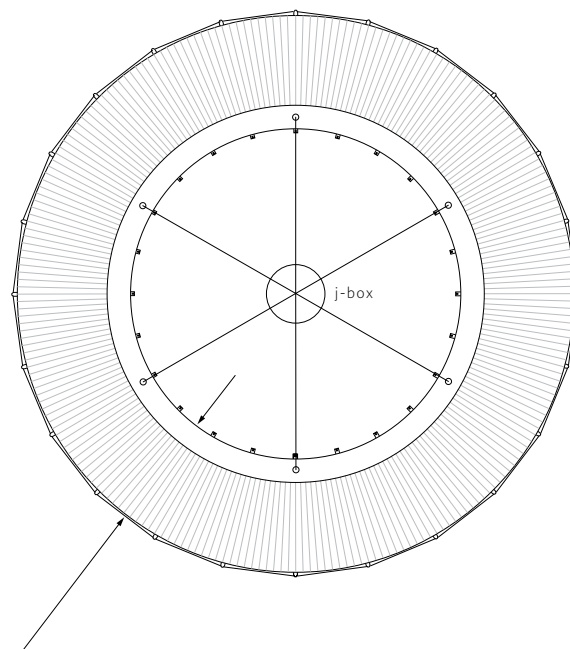
**PLEASE SPECIFY**

Size, finish, glass color & OAL (net price includes cable for an OAL of up to 48"). Refer to price book for additional cable length. OAL can be adjusted in the field at installation.

SIDE VIEW



TOP VIEW



Outside Ring width is 9.5" on all models except 4220.72, which has a 12" width.



Shown: 48" model in Deep bronze anodized finish and Opal white glass.

# WING LINEAR SUSPENSION

**MODEL NUMBER**  
4520

**DESCRIPTION**

Anodized aluminum frame with cut glass and polished aluminum reflectors. Cable Suspension.

**FINISH**

Deep bronze anodized or Silver anodized.

**KILN FORMED GLASS**

Clear or Opal white.

DIMENSIONS	MIN OAL	NET WT
4520.48 24"W x 48"L x 2"H	24" Min. OAL	20 lbs.
4520.60 24"W x 60"L x 2"H	24" Min. OAL	25 lbs.
4520.72 24"W x 72"L x 2"H	24" Min. OAL	30 lbs.

**CEILING PLATE**

4.5"Ø x .25"D

**VOLTAGE / LAMP TYPE**

Integrated LED, 24V, 2,700°K, 98 CRI Ra / 93 CRI R9  
94 TM30 Rf / 101 TM30 Rg. 30,000 hr.

120V to 24V dimmable driver included.  
Must be located in remote cubby / crawl space.

4520.48 64W, 2,700°K, 98 CRI, 5,584 lumens.  
4520.60 80W, 2,700°K, 98 CRI, 6,980 lumens.  
4520.72 96W, 2,700°K, 98 CRI, 8,376 lumens.

CA Title 24-JA8-2016

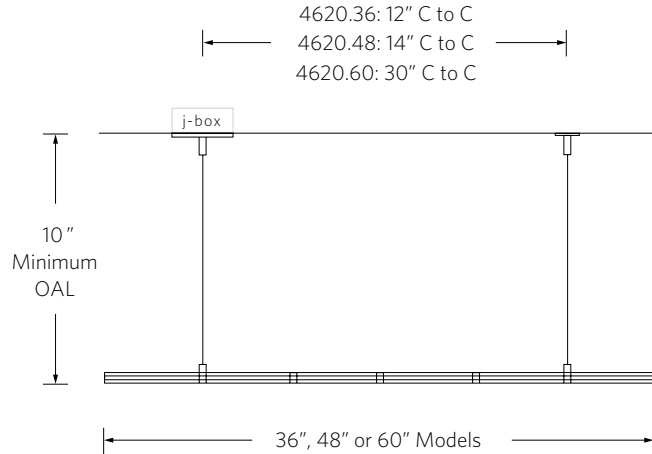
**PLEASE SPECIFY**

Size, finish, glass color & OAL (net price includes cable for an OAL of up to 48"). Refer to price book for additional cable length. OAL can be adjusted in the field at installation.

**NOTE**

\*J-box is located off-center.

SIDE VIEW



END VIEW

